



Equipment for the Foodservice Industry

value + quality + service

## STAINLESS STEEL WALL MOUNT SINKS



### STAINLESS STEEL WALL MOUNT HAND SINKS

### Features

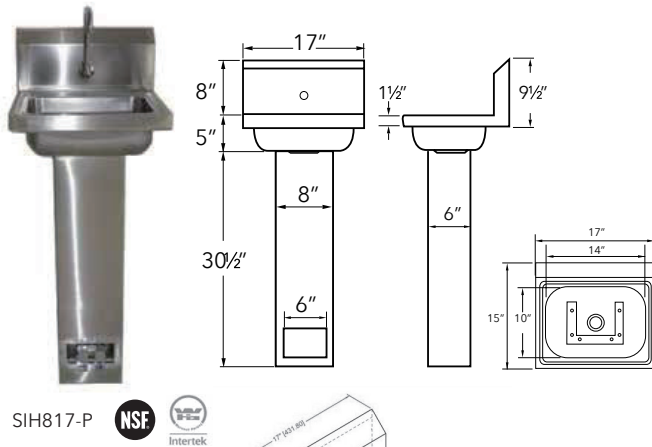
Features:

- All sink bowls have a large liberal radius
- Rectangular in design for increased capacity
- Keyhole wall mount bracket
- Stainless steel basket drain with a 1 1/2" IPS
- 4" center faucet holes
- All TIG welded
- Welded areas are blended to a satin finish to match adjacent surfaces
- Die formed countertop edge with a No-Drip offset
- One sheet of stainless steel means no seams
- Heavy gauge Type 304 stainless steel
- Wall mounting bracket is of offset design in Type 304 stainless steel
- All fittings are brass/chrome unless otherwise indicated
- Faucet supply is 1 1/2" IPS male thread hot and cold



**STAINLESS STEEL WALL MOUNT HAND SINKS**

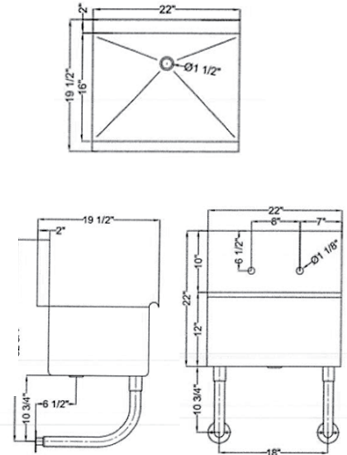
**Features**



SIH817-P



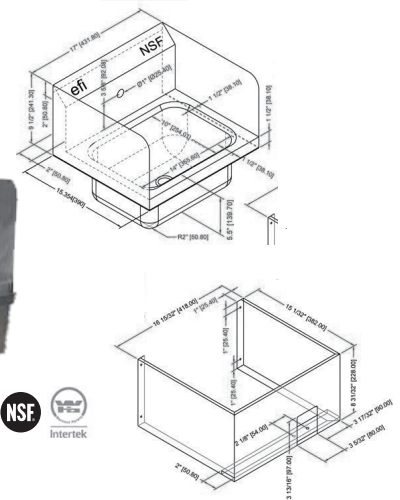
SIH819-WM



SIH817-K



SIH817-S-K



**STAINLESS STEEL WALL MOUNT HAND SINKS**

Product #	Description	Shipping Dimensions			Weight (lbs)
		W"	D"	H"	
SIH817-K	Wall mount hand sink w/knee valve and faucet	16	16	18	23
SIH817-S-K	Wall mount hand sink w/splash guards, knee valve and spout	16	16	18	23
SIH817-P	Wall mount hand sink w/pedestal base includes spout and foot valve	18	17	14	23

**WALL MOUNT UTILITY HAND SINKS**

Product #	Description	Shipping Dimensions			Bowl Depth
		W"	D"	H"	
SIH819-WM	Wall mount sink w/10" backsplash, 2 stainless steel tubular brackets	20	22	24	4"

Specifications subject to change without notice.



EFI Sales Ltd.  
Toronto Office  
515 Hanlon Creek Blvd  
Guelph, ON N1C 0A1

EFI Sales Ltd.  
Vancouver Office  
26895 Gloucester Way  
Langley, BC V4W 3Y3

Distribution Facilities:  
Toronto, ON  
Langley, BC

(888) 565-9920 Toll Free  
(519) 822-1895 Toronto  
(604) 607-8850 Vancouver  
info@efifoodequip.com  
www.efifoodequip.com