



Equipment for the Foodservice Industry

value + quality + service

Worktables with Sink Right



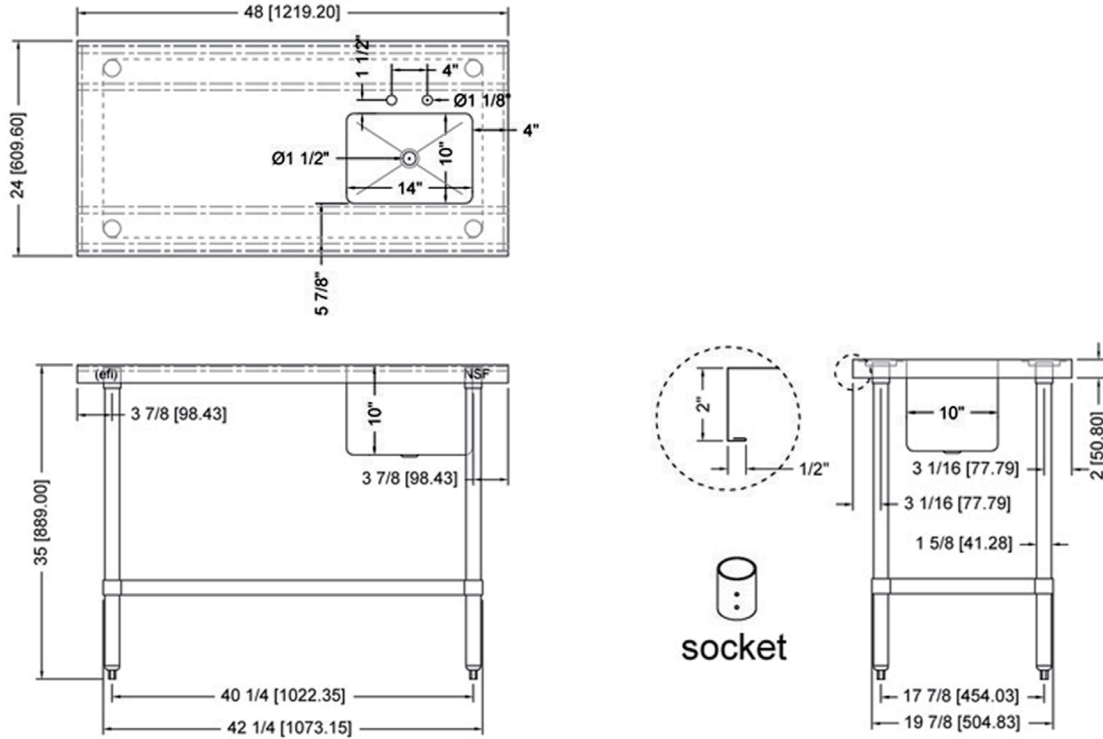
Worktables with Sink Right Features

Features:

- Heavy duty, 18 gauge, Type 430 stainless steel top provides long life
- Sinks come with 1 7/8" center drain hole, drain mini-basket and 4" center pre-cut holes for standard deck mount faucet (faucet not included)
- All worktables are standard 35" height
- Top is TIG welded
- Entire top surface is machine polished to a satin finish
- Reinforced to exceed industry standards
- Galvanized hat channels are secured to top by structural adhesive and weld studs
- Gussets welded to support hat sections
- Hemmed edges provide strength and safety
- Galvanized legs and undershelf for durability and economy
- Die cast reinforced leg sockets for stability
- Legs are 1 5/8" diameter
- Adjustable ABS bullet feet to accommodate uneven flooring
- 84" and above have 6 legs (2 on each end and 1 pair in the middle)
- Simple assembly
- Shipped unassembled for reduced cost and space



Worktables with Sink Right Specifications



WORKTABLES WITH SINK RIGHT 24" DEPTH

Product #	Width	Shipping Dimensions			Weight (lb)
		W"	D"	H"	
TTUBR2448	48"	50	26	14	86
TTUBR2460	60"	62	26	14	98
TTUBR2472	72"	74	26	14	111
TTUBR2484	84"	86	26	14	125
TTUBR2496	96"	98	26	14	136

WORKTABLES WITH SINK RIGHT 30" DEPTH

Product #	Width	Shipping Dimensions			Weight (lb)
		W"	D"	H"	
TTUBR3048	48"	50	32	14	95
TTUBR3060	60"	62	32	14	110
TTUBR3072	72"	74	32	14	125
TTUBR3084	84"	86	32	14	140
TTUBR3096	96"	98	32	14	156

Specifications subject to change without notice.



EFI Sales Ltd.
Toronto Office
515 Hanlon Creek Blvd
Guelph, ON N1C 0A1

EFI Sales Ltd.
Vancouver Office
26895 Gloucester Way
Langley, BC V4W 3Y3

Distribution Facilities:
Toronto, ON
Langley, BC

(888) 565-9920 Toll Free
(519) 822-1895 Toronto
(604) 607-8850 Vancouver
info@efifoodequip.com
www.efifoodequip.com