



Equipment for the Foodservice Industry

value + quality + service

## Worktable Under-Shelves



WORKTABLE WITH OPTIONAL ADD ON SHELF

### Worktable Under-Shelves

### Features

Features:

- Worktable image created using the following products(Product T2460;Product TUG2460)
- Optional swivel casters, stainless steel legs and leg braces are available.
- 84" and above have 6 legs (2 on each end and 1 pair in the middle)



## Worktable Under-Shelves

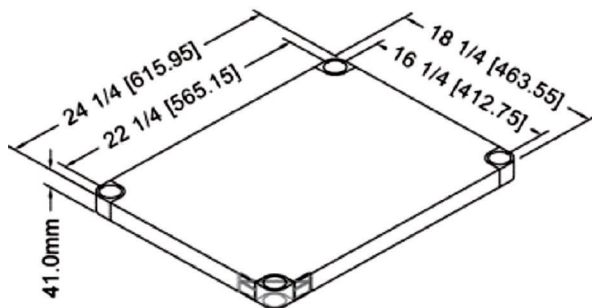
## Specifications

**ADD-ON 24" UNDER-SHELVES IN STAINLESS OR GALVANIZED STEEL**

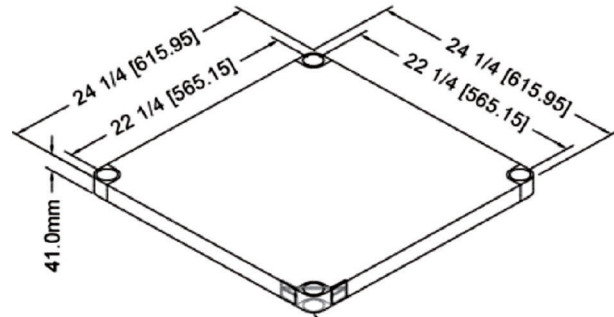
Galvanized	Stainless	Width	Shipping Dimensions			Weight (lb)
			W"	D"	H"	
TUG2424	TUS2424	18"	19	25	2	8
TUG2430	TUS2430	24"	25	25	2	11
TUG2436	TUS2436	30"	31	25	2	14
TUG2448	TUS2448	42"	43	25	2	20
TUG2460	TUS2460	54"	55	25	2	32
TUG2472	TUS2472	66"	67	25	2	35
TUG2484	TUS2484	78"	79	25	2	39
TUG2496	TUS2496	90"	91	25	2	44

**ADD-ON 30" UNDER-SHELVES IN STAINLESS OR GALVANIZED STEEL**

Galvanized	Stainless	Width	Shipping Dimensions			Weight (lb)
			W"	D"	H"	
TUG3030	TUS3030	24"	25	31	2	15
TUG3036	TUS3036	30"	31	31	2	22
TUG3048	TUS3048	42"	43	31	2	31
TUG3060	TUS3060	54"	55	31	2	37
TUG3072	TUS3072	66"	67	31	2	45
TUG3084	TUS3084	78"	79	31	2	54
TUG3096	TUS3096	90"	91	31	2	60



TUG2430



TUG3030

Specifications subject to change without notice.