



Equipment for the Foodservice Industry

value + quality + service

Worktable with Leg Braces



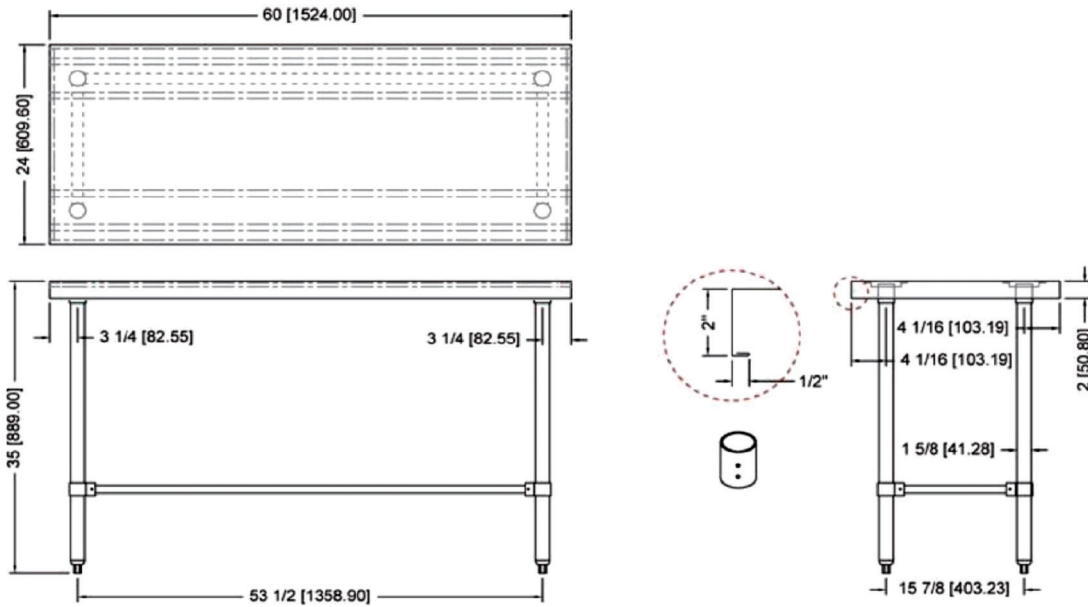
Worktable with Leg Braces Features

Features:

- Heavy duty, 18 gauge, Type 430 stainless steel top provides long life
- Top is TIG welded
- Entire top surface is machine polished to a satin finish
- Reinforced to exceed industry standards
- Galvanized hat channels are secured to top by structural adhesive and weld studs
- Gussets welded to support hat sections
- Hemmed edges provide strength and safety
- All worktables are standard 35" height
- Galvanized legs and leg braces when you do not want or are unable to use an under-shelf for stability
- Die cast reinforced leg sockets for stability
- Legs are 1 5/8" diameter
- Adjustable ABS bullet feet to accommodate uneven flooring
- 84" and above have 6 legs
- Simple assembly
- Shipped unassembled for reduced cost and space



Worktable with Leg Braces Specifications



**24" WORKTABLES WITH LEG BRACES
NO UNDER-SHELF**

| Product # | Width | Depth | Shipping Dimensions (W"xD"xH") | Weight (lb) |
|-----------|-------|-------|--------------------------------|-------------|
| TLB2436 | 36" | 24" | 38 x 26 x 3 | 38 |
| TLB2448 | 48" | 24" | 50 x 26 x 3 | 44 |
| TLB2460 | 60" | 24" | 62 x 26 x 3 | 51 |
| TLB2472 | 72" | 24" | 74 x 26 x 3 | 57 |
| TLB2484 | 84" | 24" | 86 x 26 x 3 | 72 |
| TLB2496 | 96" | 24" | 98 x 26 x 3 | 78 |

**30" WORKTABLES WITH LEG BRACES
NO UNDER-SHELF**

| Product # | Width | Depth | Shipping Dimensions (W"xD"xH") | Weight (lb) |
|-----------|-------|-------|--------------------------------|-------------|
| TLB3036 | 36" | 30" | 38 x 32 x 3 | 45 |
| TLB3048 | 48" | 30" | 50 x 32 x 3 | 49 |
| TLB3060 | 60" | 30" | 62 x 32 x 3 | 58 |
| TLB3072 | 72" | 30" | 74 x 32 x 3 | 60 |
| TLB3084 | 84" | 30" | 86 x 32 x 3 | 75 |
| TLB3096 | 96" | 30" | 98 x 32 x 3 | 85 |



Product Feature: All 84" & 96" worktables consist of 6 legs (2 on each end and 1 pair in the middle)

Specifications subject to change without notice.