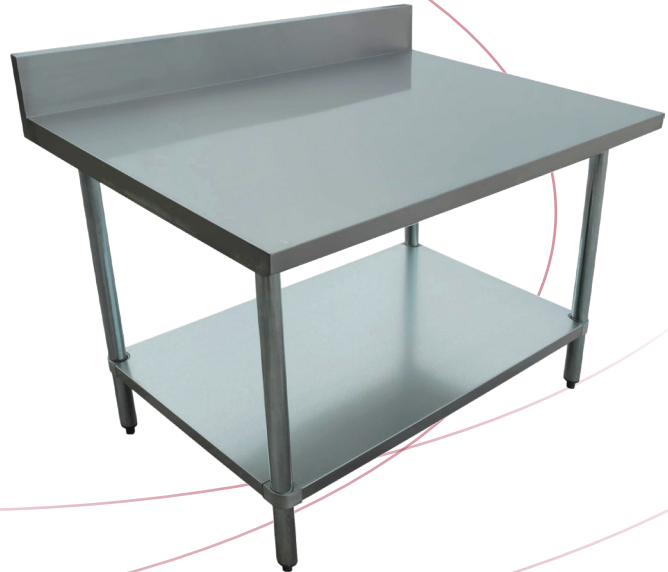




Equipment for the Foodservice Industry

value + quality + service

Worktables with Backsplash



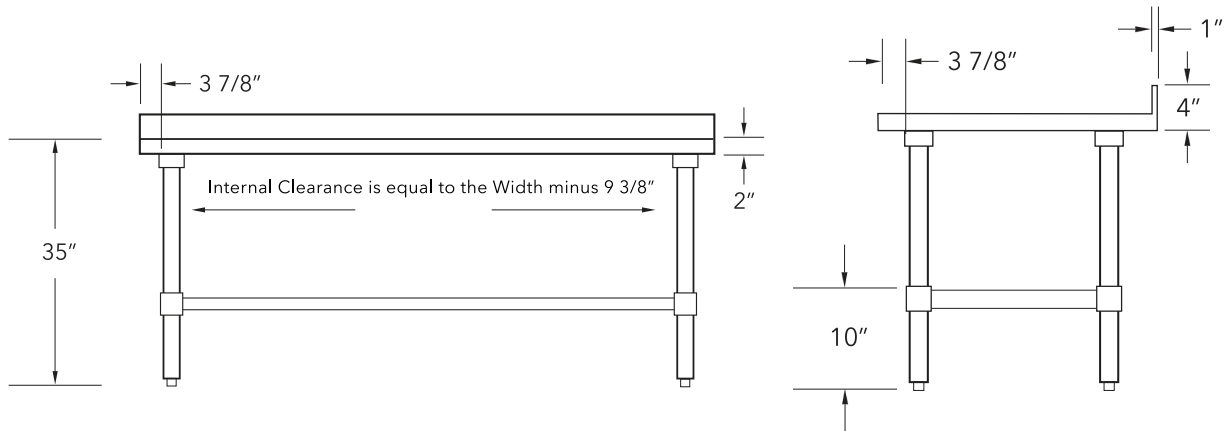
Worktables with Backsplash Features

Features:

- Floor to table top height is 35" with an additional 4" rise for the backsplash
- Heavy duty, 18 gauge, Type 430 stainless steel top provides long life
- Top is TIG welded
- Entire top surface is machine polished to a satin finish
- Reinforced to exceed industry standards
- Galvanized hat channels are secured to top by structural adhesive and weld studs
- Gussets welded to support hat sections
- Hemmed edges provide strength and safety
- Galvanized legs and undershelf for durability and economy
- Die cast reinforced leg sockets for stability
- Legs are 1 5/8" diameter
- Adjustable ABS bullet feet to accommodate uneven flooring
- 84" and above have 6 legs
- Simple assembly
- Shipped unassembled for reduced cost and space



Worktables with Backsplash Specifications



24" WORKTABLES WITH BACKSPLASH

Product #	Width	Depth	Shipping Dimensions (W"xD"xH")	Weight (lb)
TB2424	24"	24"	36 x 27 x 7	44
TB2430	30"	24"	36 x 27 x 7	47
TB2436	36"	24"	38 x 27 x 7	52
TB2448	48"	24"	50 x 27 x 7	63
TB2460	60"	24"	62 x 27 x 7	75
TB2472	72"	24"	74 x 27 x 7	85
TB2484	84"	24"	86 x 27 x 7	104
TB2496	96"	24"	98 x 27 x 7	115

30" WORKTABLES WITH BACKSPLASH

Product #	Width	Depth	Shipping Dimensions (W"xD"xH")	Weight (lb)
TB3018	18"	30"	36 x 33 x 7	40
TB3024	24"	30"	36 x 33 x 7	46
TB3030	30"	30"	36 x 33 x 7	52
TB3036	36"	30"	38 x 33 x 7	59
TB3048	48"	30"	50 x 33 x 7	72
TB3060	60"	30"	62 x 33 x 7	87
TB3072	72"	30"	74 x 33 x 7	99
TB3084	84"	30"	86 x 33 x 7	120
TB3096	96"	30"	98 x 33 x 7	135



Product Feature: All 84" & 96" worktables consist of 6 legs (2 on each end and 1 pair in the middle)

Specifications subject to change without notice.