



Equipment for the Foodservice Industry
value + quality + service

Polyboard Tables



Polyboard Tables

Features

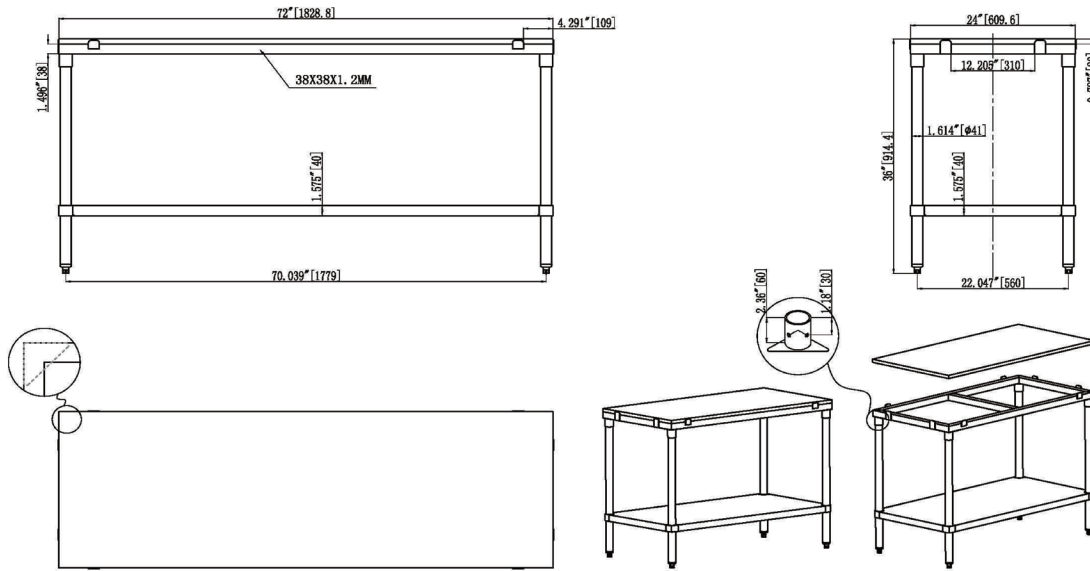
Features:

- 3/4" solid polyboard
- Convenient for Butchers and Commercial Kitchens
- Stainless steel frame, legs and under shelf
- Welded leg gussets for added strength
- 1 5/8" tubular 403 stainless steel legs
- Welded tabs lock poly board into place
- Worktables are standard 36" height, includes 3/4" polyboard
- Removable poly board for easy cleaning
- Adjustable ABS bullet feet to accommodate uneven flooring
- 84" and above have 6 legs (2 on each end and 1 pair in the middle)
- Shipped unassembled for reduced cost and space
- Easily Assembled



Polyboard Tables

Specifications



24\"/>

Product #	Width	Depth	Height	Shipping Dimensions	Weight
				W"xD"xH"	(lb)
TP2436	36"	24"	36"	38 x 25 x 7	35
TP2448	48"	24"	36"	50 x 25 x 7	40
TP2460	60"	24"	36"	62 x 25 x 7	45
TP2472	72"	24"	36"	74 x 25 x 7	50
TP2484	84"	24"	36"	86 x 25 x 7	55
TP2496	96"	24"	36"	98 x 25 x 7	60

30\"/>

Product #	Width	Depth	Height	Shipping Dimensions	Weight
				W"xD"xH"	(lb)
TP3036	36"	30"	36"	38 x 31 x 7	65
TP3048	48"	30"	36"	50 x 31 x 7	70
TP3060	60"	30"	36"	62 x 31 x 7	75
TP3072	72"	30"	36"	74 x 31 x 7	80
TP3084	84"	30"	36"	86 x 31 x 7	85
TP3096	96"	30"	36"	98 x 31 x 7	90

24\"/>

Product #	Width	Thickness	Shipping Dimensions
			W"xD"xH"
TP2436-P	36"	3/4"	38 x 25 x 1
TP2448-P	48"	3/4"	50 x 25 x 1
TP2460-P	60"	3/4"	62 x 25 x 1
TP2472-P	72"	3/4"	74 x 25 x 1
TP2484-P	84"	3/4"	86 x 25 x 1
TP2496-P	96"	3/4"	98 x 25 x 1

30\"/>

Product #	Width	Thickness	Shipping Dimensions
			W"xD"xH"
TP3036-P	36"	3/4"	38 x 31 x 1
TP3048-P	48"	3/4"	50 x 31 x 1
TP3060-P	60"	3/4"	62 x 31 x 1
TP3072-P	72"	3/4"	74 x 31 x 1
TP3084-P	84"	3/4"	86 x 31 x 1
TP3096-P	96"	3/4"	98 x 31 x 1

Specifications subject to change without notice.



EFI Sales Ltd.
 Toronto Office
 515 Hanlon Creek Blvd
 Guelph, ON N1C 0A1

EFI Sales Ltd.
 Vancouver Office
 26895 Gloucester Way
 Langley, BC V4W 3Y3

Distribution Facilities:
 Toronto, ON
 Langley, BC

(888) 565-9920 Toll Free
 (519) 822-1895 Toronto
 (604) 607-8850 Vancouver
 info@effifoodequip.com
 www.efifoodequip.com