



Equipment for the Foodservice Industry

value + quality + service

## Polyboard Tables with Backsplash



### Polyboard Tables with Backsplash

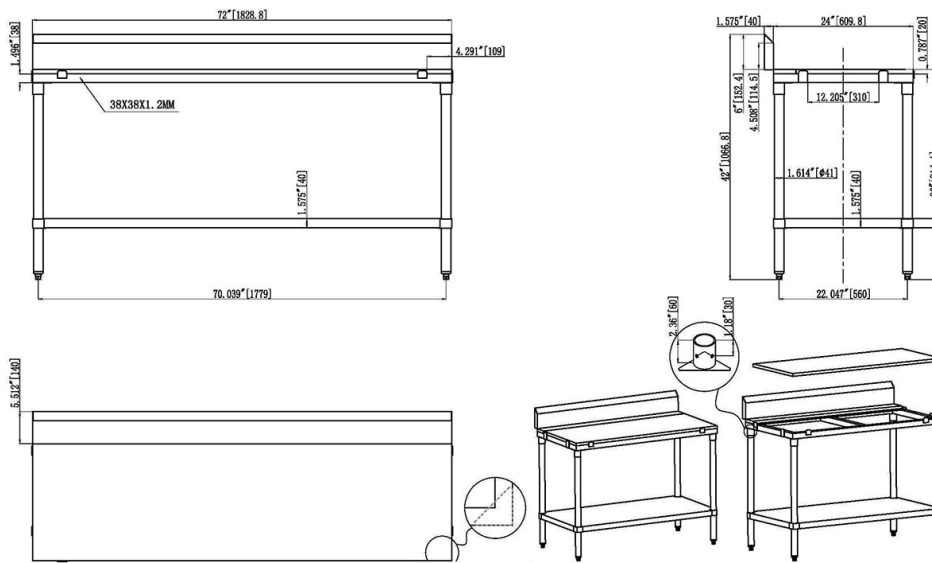
### Features

Features:

- 3/4" solid poly board
- 6" stainless steel backsplash
- Backsplash protects against wall debris
- Convenient for Butchers and Commercial Kitchens
- Stainless steel frame, legs and under shelf
- Welded leg gussets for added strength
- 1 5/8" tubular 403 stainless steel legs
- Welded tabs lock poly board into place
- Floor to table top height is 42" height, includes 6" backsplash and 3/4" polyboard
- Removable polyboard for easy cleaning
- Adjustable ABS bullet feet to accommodate uneven flooring
- 84" and above have 6 legs (2 on each end and 1 pair in the middle)
- Shipped unassembled for reduced cost and space
- Easily Assembled



**Polyboard Tables with Backsplash Specifications**



**24" POLYBOARD TOP WORKTABLE WITH 6" BACKSPLASH**

Product #	Width	Depth	Height	Shipping Dimensions	Weight
				W"xD"xH"	(lb)
TPB2436	36"	24"	42"	38 x 25 x 12	37
TPB2448	48"	24"	42"	50 x 25 x 12	42
TPB2460	60"	24"	42"	62 x 25 x 12	47
TPB2472	72"	24"	42"	74 x 25 x 12	52
TPB2484	84"	24"	42"	86 x 25 x 12	57
TPB2496	96"	24"	42"	98 x 25 x 12	62

**30" POLYBOARD TOP WORKTABLE WITH 6" BACKSPLASH**

Product #	Width	Depth	Height	Shipping Dimensions	Weight
				W"xD"xH"	(lb)
TPB3036	36"	30"	42"	38 x 31 x 12	67
TPB3048	48"	30"	42"	50 x 31 x 12	72
TPB3060	60"	30"	42"	62 x 31 x 12	77
TPB3072	72"	30"	42"	74 x 31 x 12	82
TPB3084	84"	30"	42"	86 x 31 x 12	87
TPB3096	96"	30"	42"	98 x 31 x 12	92

**24" POLYBOARD REPLACEMENT TOP**

Product #	Width	Thickness	Shipping Dimensions
			W"xD"xH"
TPB2036-P	36"	3/4"	38 x 21 x 1
TPB2048-P	48"	3/4"	50 x 21 x 1
TPB2060-P	60"	3/4"	62 x 21 x 1
TPB2072-P	72"	3/4"	74 x 21 x 1
TPB2084-P	84"	3/4"	86 x 21 x 1
TPB2096-P	96"	3/4"	98 x 21 x 1

**30" POLYBOARD REPLACEMENT TOP**

Product #	Width	Thickness	Shipping Dimensions
			W"xD"xH"
TPB2636-P	36"	3/4"	38 x 27 x 1
TPB2648-P	48"	3/4"	50 x 27 x 1
TPB2660-P	60"	3/4"	62 x 27 x 1
TPB2672-P	72"	3/4"	74 x 27 x 1
TPB2684-P	84"	3/4"	86 x 27 x 1
TPB2696-P	96"	3/4"	98 x 27 x 1

Specifications subject to change without notice.