



Equipment for the Foodservice Industry

value + quality + service

Corner Worktable with Backsplash



Corner Worktable with Backsplash

Features

Features:

- Floor to table top height is 35" with an additional 4" rise for the backsplash
- Heavy duty, 18 gauge, Type 430 stainless steel top provides long life
- Top is TIG welded
- Entire top surface is machine polished to a satin finish
- Reinforced to excel industry standards
- Galvanized hat channels are secured to top by structural adhesive and weld studs
- Gussets welded to support hat sections
- Hemmed edges provide strength and safety
- Galvanized legs and undershelf for durability and economy
- Die cast reinforced leg sockets for stability
- Legs are 1 5/8" diameter
- Adjustable ABS bullet feet to accommodate uneven flooring
- Simple assembly
- Shipped unassembled for reduced cost and space

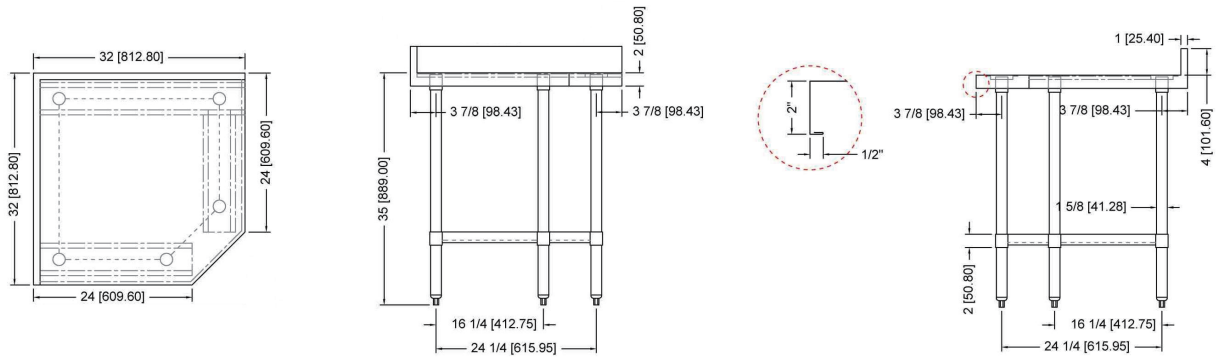


Corner Worktable with Backsplash

Specifications

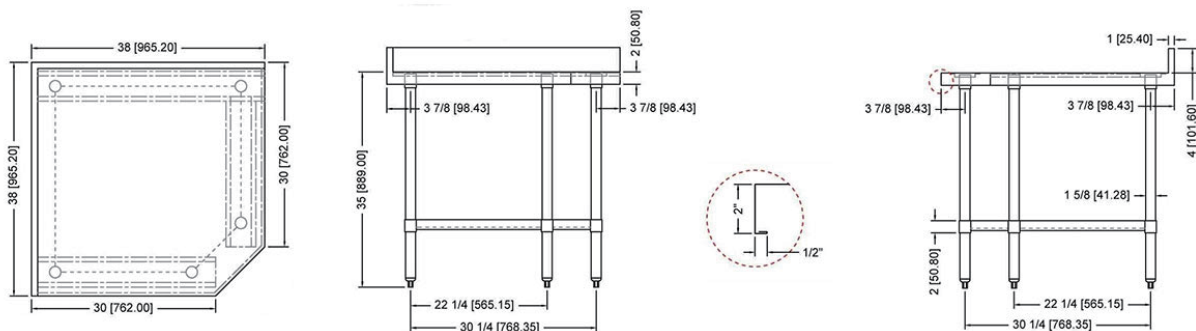
CORNER WORKTABLES 24" DEPTH

Product #	Width	Shipping Dimensions			Weight (lb)
		W"	D"	H"	
TBC2424	32"	32	32	35	50



CORNER WORKTABLES 30" DEPTH

Product #	Width	Shipping Dimensions			Weight (lb)
		W"	D"	H"	
TBC3030	38"	38	38	35	57



Specifications subject to change without notice.



EFI Sales Ltd.
Toronto Office
515 Hanlon Creek Blvd
Guelph, ON N1C 0A1

EFI Sales Ltd.
Vancouver Office
26895 Gloucester Way
Langley, BC V4W 3Y3

Distribution Facilities:
Toronto, ON
Langley, BC

(888) 565-9920 Toll Free
(519) 822-1895 Toronto
(604) 607-8850 Vancouver
info@efifoodequip.com
www.efifoodequip.com