



Equipment for the Foodservice Industry  
value + quality + service

## ALL Stainless Steel Worktables



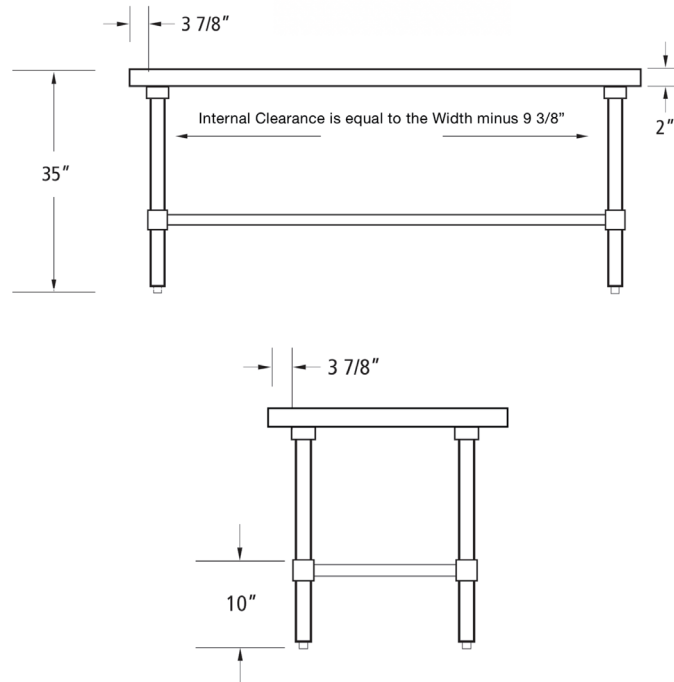
### All Stainless Steel Worktables Features

Features:

- Heavy duty, 18 gauge, Type 304 stainless steel top for easy cleaning and stain resistance
- Top is TIG welded
- Entire top surface is machine polished to a satin finish
- Reinforced to exceed industry standards
- Galvanized hat channels are secured to top by structural adhesive and weld studs
- Gussets welded to support hat sections
- Hemmed edges provide strength and safety
- All worktables are standard 35" height
- Heavy duty Type 430 stainless steel legs and under-shelves for durability
- Die cast reinforced leg sockets for stability
- Legs are 1 5/8" diameter
- Adjustable ABS bullet feet to accommodate uneven flooring
- 84" and above have 6 legs
- Simple assembly
- Shipped unassembled for reduced cost and space



**All Stainless Steel Worktables Specifications**



**24" ALL STAINLESS STEEL WORKTABLES**

Product #	Width	Depth	Shipping Dimensions (W"xD"xH")	Weight (lb)
TS2436	36"	24"	38 x 26 x 3	50
TS2448	48"	24"	50 x 26 x 3	60
TS2460	60"	24"	62 x 26 x 3	71
TS2472	72"	24"	74 x 26 x 3	81
TS2484	84"	24"	86 x 26 x 3	100
TS2496	96"	24"	98 x 26 x 3	110

**30" ALL STAINLESS STEEL WORKTABLES**

Product #	Width	Depth	Shipping Dimensions (W"xD"xH")	Weight (lb)
TS3036	36"	30"	38 x 32 x 3	57
TS3048	48"	30"	50x 32 x 3	69
TS3060	60"	30"	62x 32 x 3	83
TS3072	72"	30"	74x 32 x 3	95
TS3084	84"	30"	86x 32 x 3	115
TS3096	96"	30"	98x 32 x 3	130



**Product Feature:** All 84" & 96" worktables consist of 6 legs (2 on each end and 1 pair in the middle)

*Specifications subject to change without notice.*