

efi sales Ltd.

Equipment for the Foodservice Industry
value + quality + service

Soup Kettles with Digital Display - Pots 10 L



Soup Kettles

Features

Features:

- Exterior construction is made out of high quality material, either black powder coated or stainless steel
- Both models includes stainless steel lid
- 10 litre capacity
- Digital temperature display
- Maximum temperature 85°C
- Keeps cooked stews, soups, and liquid based foods warm at a ready to serve temperature
- Heating/keep warm light



Soup Kettles

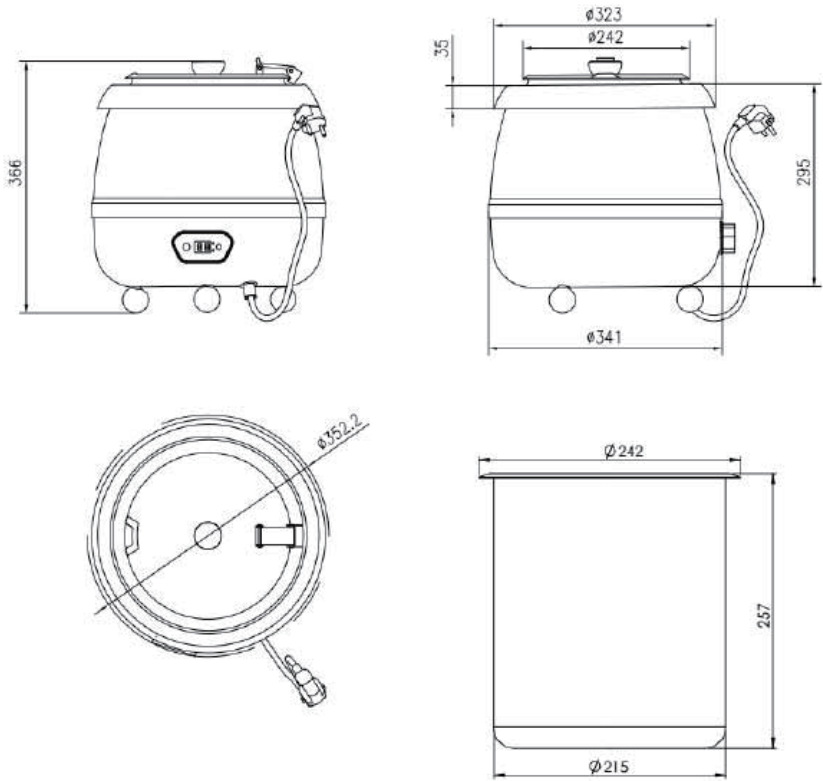
Specifications

Exterior Construction

Black Powder Coated

or

Stainless Steel



Model	Description	Dimension (mm / inch)		Heating Power	Voltage	Insert Capacity (L) (QT)	Net Weight (KG) (LBS)	NEMA Config.
		Dia.	H					
SA-SKPTBKDD10	Black Powder Coated	352.2	366	400W	110/60	10	4.75	5-15P
		13.9	14.4			10.6	10.5	
SA-SKPTSSDD10	Stainless Steel	352.2	366	400W	110/60	10	4.65	5-15P
		13.9	14.4			10.6	10.3	

Equipped with one NEMA 5-15P plug

Shipping Information

Crate Dimensions (mm / inch)			Net Weight (KG) (LBS)	Gross Weight (KG) (LBS)
W	D	H		
350	340	366	4.75	5.65
13.8	13.4	14.4	10.5	12.5

Specifications subject to change without notice.