

efi sales Ltd.

Equipment for the Foodservice Industry
value + quality + service

Soup Kettles - Pots 10 L



Soup Kettles

Features

Features:

- Exterior construction is made out of high quality material, either black powder coated or stainless steel
- Both models includes stainless steel lid
- 10 litre capacity
- Temperature knob with 12 steps
- Maximum temperature 85°C
- Keeps cooked stews, soups, and liquid based foods warm at a ready to serve temperature
- Heating/keep warm light



Soup Kettles

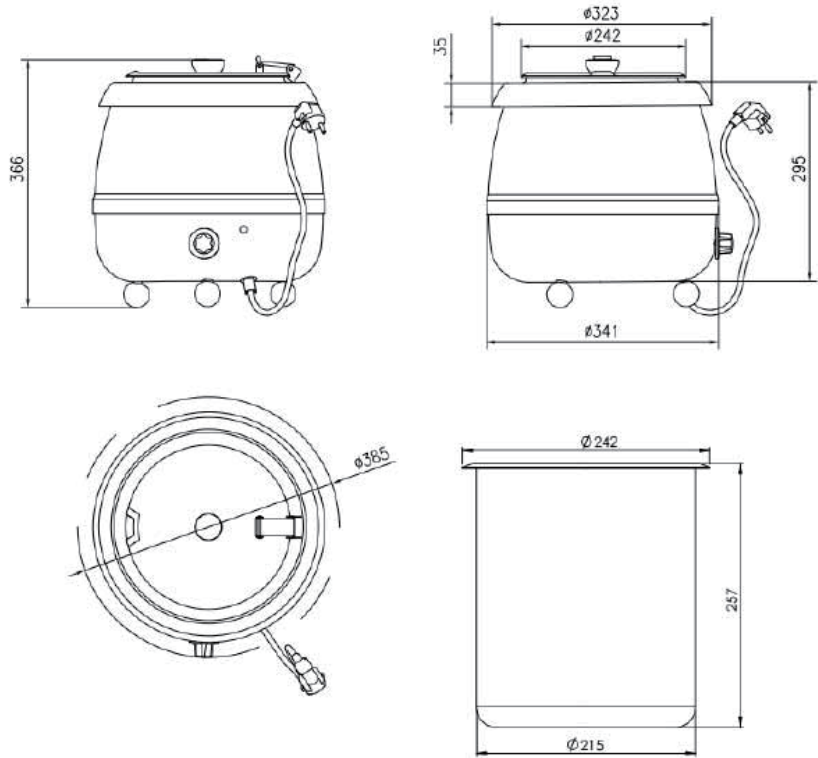
Specifications

Exterior Construction

Black Powder Coated

or

Stainless Steel



Model	Description	Dimension (mm / inch)		Heating Power	Voltage	Insert Capacity (L / QT)	Net Weight (KG / LBS)	NEMA Config.
		Dia.	H					
SA-SKPTBK10	Black Powder Coated	385	366	400W	110/60	10	4.7	5-15P
		15.2	14.4			10.6	7.7	
SA-SKPTSS10	Stainless Steel	385	366	400W	110/60	10	4.6	5-15P
		15.2	14.4			10.6	7.5	

Equipped with one NEMA 5-15P plug 

Shipping Information

Crate Dimensions (mm / inch)			Net Weight (KG / LBS)	Gross Weight (KG / LBS)
W	D	H		
345	345	415	4.7	5.5
13.6	13.6	16.3	7.7	12.1

Specifications subject to change without notice.