

**efi** sales Ltd.

Equipment for the Foodservice Industry  
value + quality + service

## Mop Sink Cabinets

SIMC2510-S



### SIMC2510-S Features

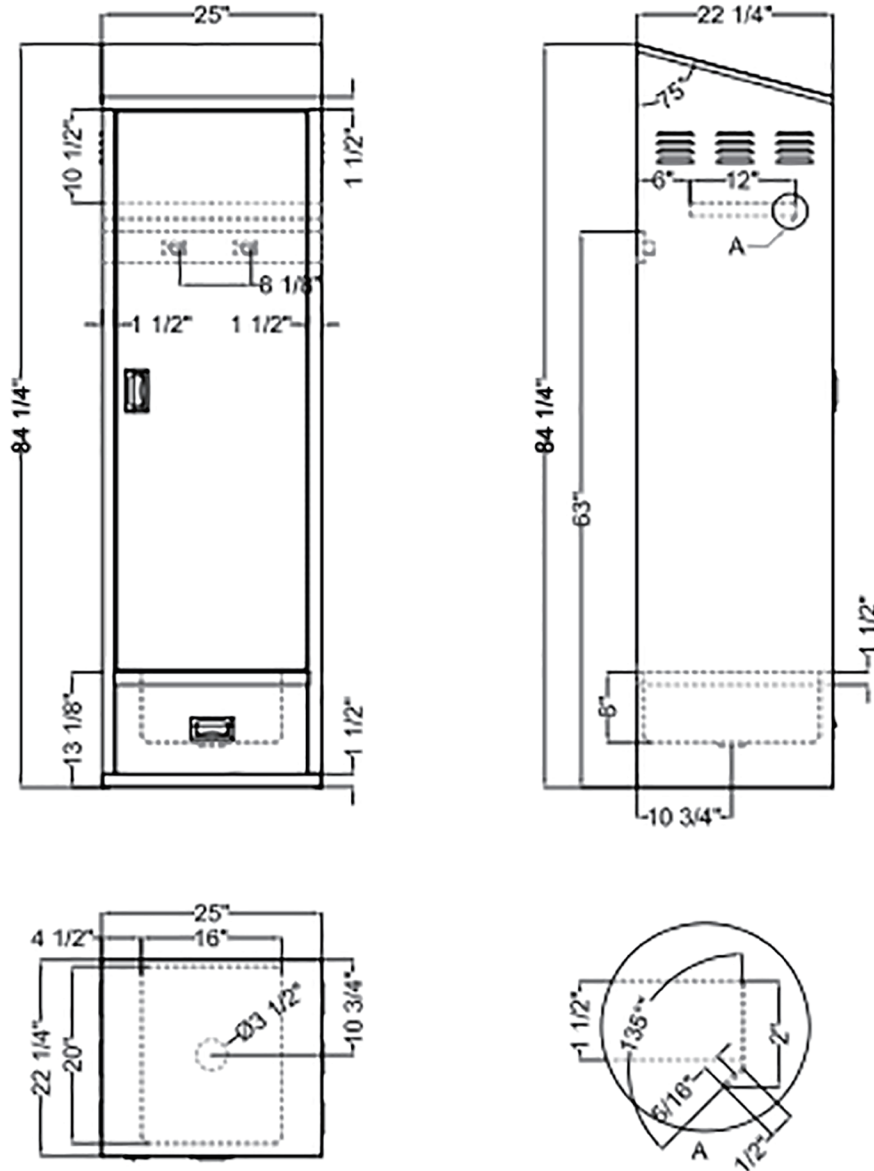
Features:

- Cabinet made of type 430 series stainless steel
- Interior shelf and rack for easy storage
- Locking doors for security
- Louvered sides promote air flow
- Bowl protects against splashing and overflow



**SIMC2510-S**

**Specifications**



Model	Overall Height (inch)	Shipping Dimension			Weight (lbs)
		L	D	H	
SIMC2510-S	25"X22-1/4"X84-1/4"	22-5/8"	25-1/4"	84"	171

Specifications subject to change without notice.



EFI Sales Ltd.  
Toronto Office  
515 Hanlon Creek Blvd  
Guelph, ON N1C 0A1

EFI Sales Ltd.  
Vancouver Office  
26895 Gloucester Way  
Langley, BC V4W 3Y3

Distribution Facilities:  
Toronto, ON  
Langley, BC

(888) 565-9920 Toll Free  
(519) 822-1895 Toronto  
(604) 607-8850 Vancouver  
info@efifoodequip.com  
www.efifoodequip.com