

**efi** sales Ltd.

Equipment for the Foodservice Industry  
value + quality + service

## HAND & MOP SINK COMBINATION

SIMC-1517



### SIMC-1517

### Features

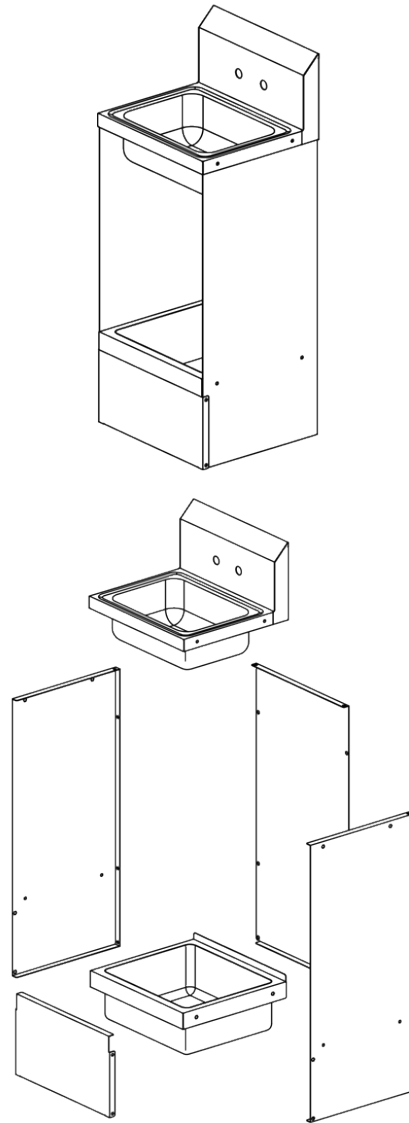
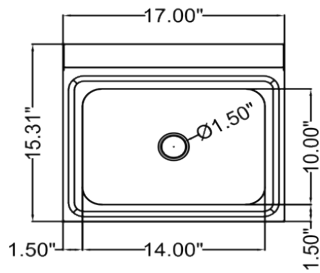
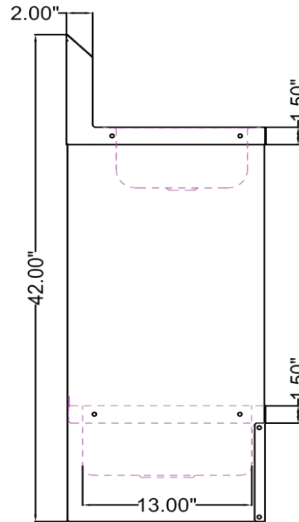
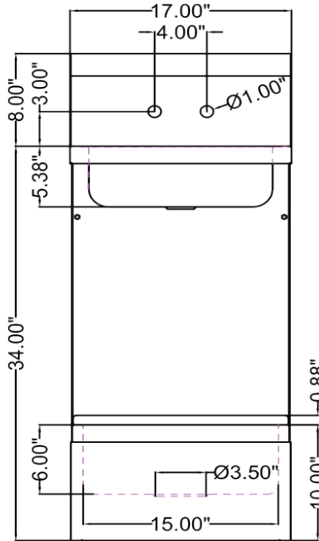
#### Features:

- Hand sink and mop combination
- 18 gauge, Type 304 stainless steel hand sink, cabinet body, mop sink and wall mount clips
- Hand sink 14" x 10" x 5" bowl
- Mop sink 15.5" x 16.9" x 6" bowl
- Gooseneck faucet included
- Hand sink 1½" drain basket included
- Mop sink 3½" drain basket included



**SIMC-1517**

**Specifications**



Product #	Width	Depth	Overall Height	Shipping Dimensions			Weight (lbs)
				W"	D"	H"	
SIMC-1517	17"	15.3"	42"	17.7	16.1	35	49

Specifications subject to change without notice.