

*This Space for Architect/Engineer Approval*

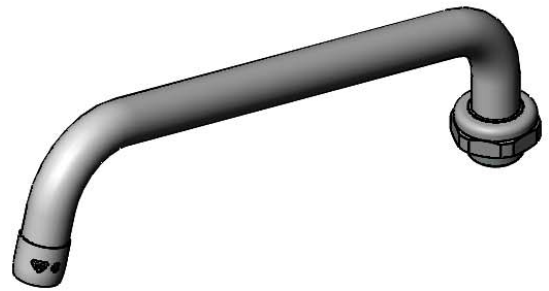
Job Name \_\_\_\_\_ Date \_\_\_\_\_

Model Specified \_\_\_\_\_ Quantity \_\_\_\_\_

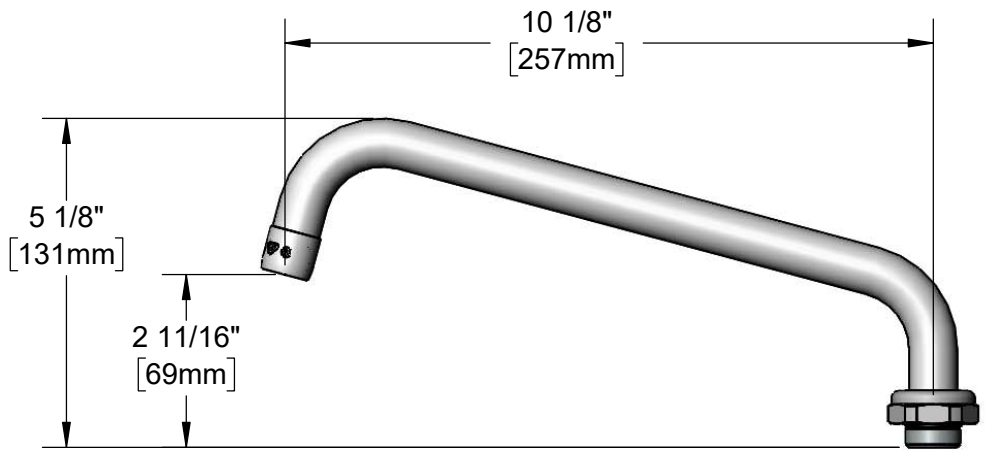
Customer/Wholesaler \_\_\_\_\_

Contractor \_\_\_\_\_

Architect/Engineer \_\_\_\_\_



3/4-27 UN  
Laminar Flow  
Outlet Device



Model Number  
**SIF-SN10**

Product Specifications:  
**10" Swing Nozzle w/ Laminar Flow Device**

Product Compliance:  
ASME A112.18.1 / CSA B125.1  
NSF 61 - Section 9  
NSF 372 (Low Lead Content)



26895 Gloucester Way  
Langley BC V4W 3Y3  
Toll Free: 1.888.565.9020  
Phone: 604.607.8850  
efifoodequip.com