

This Space for Architect/Engineer Approval

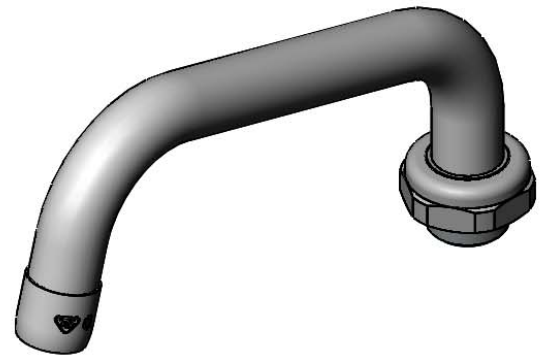
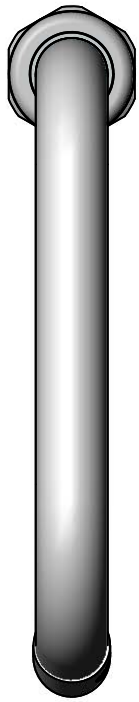
Job Name _____ Date _____

Model Specified _____ Quantity _____

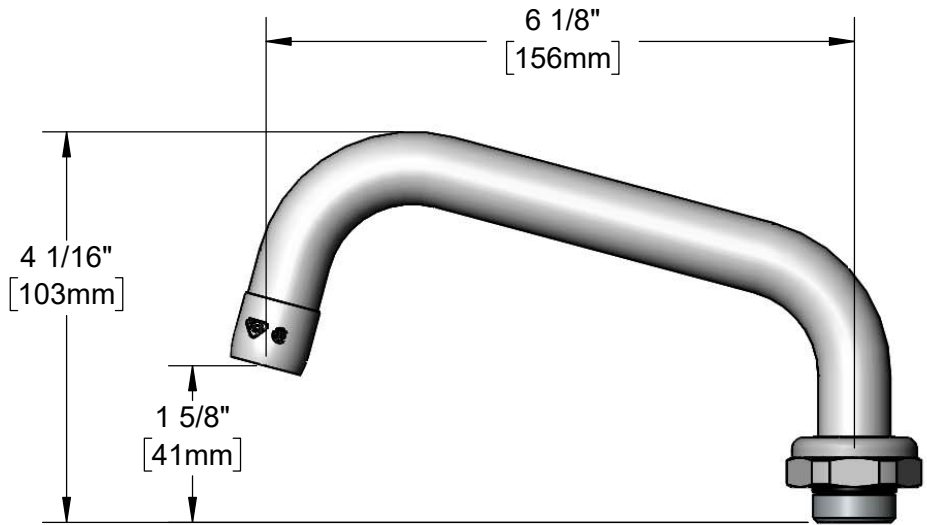
Customer/Wholesaler _____

Contractor _____

Architect/Engineer _____



3/4-27 UN
Laminar Flow
Outlet Device



Model Number

SIF-SN06

Product Specifications:

6" Swing Nozzle w/ Laminar Flow Device

Product Compliance:

ASME A112.18.1 / CSA B125.1
NSF 61 - Section 9
NSF 372 (Low Lead Content)



26895 Gloucester Way
Langley BC V4W 3Y3
Toll Free: 1.888.565.9020
Phone: 604.607.8850
efifoodequip.com

Drawn: KJG

Checked: JRM

Approved: JHB

Date: 09/12/22

Scale: 1:2

Sheet: 1 of 1