



**ADA Compliant**

*This Space for Architect/Engineer Approval*

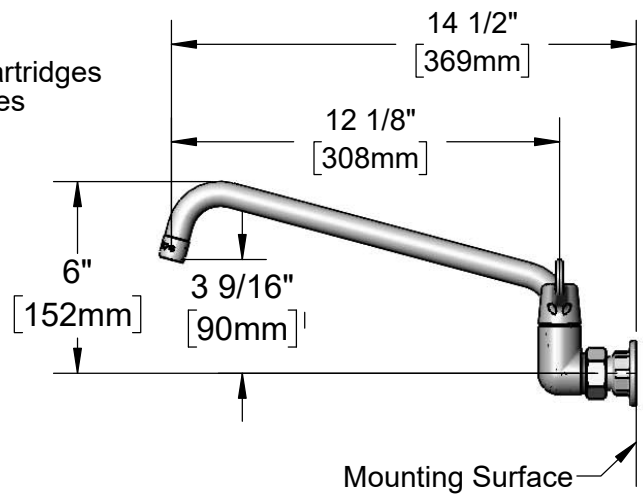
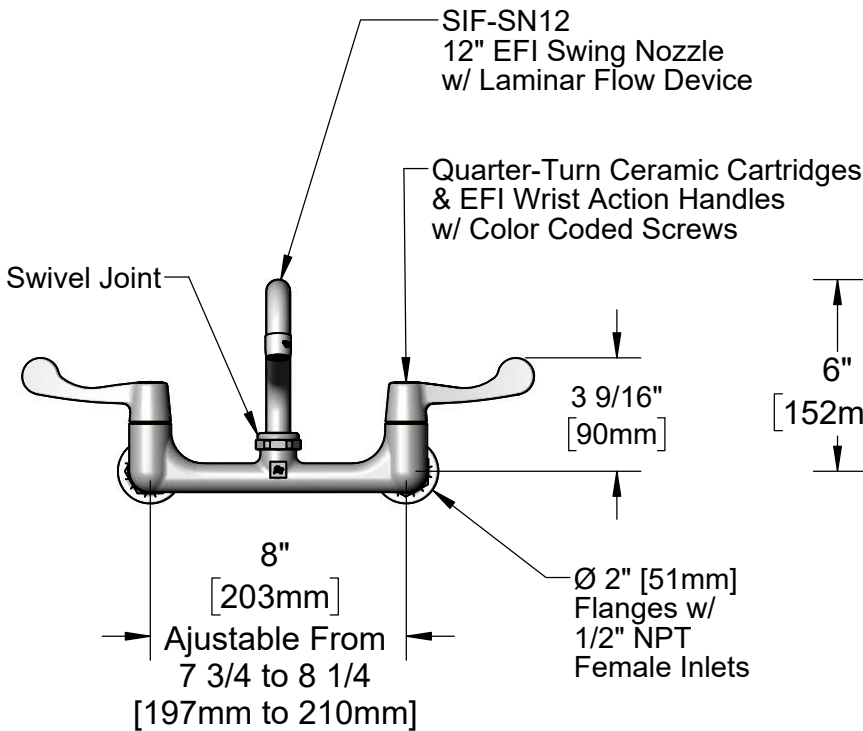
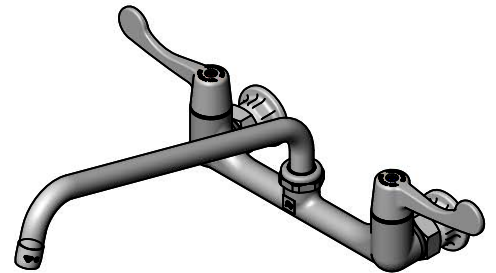
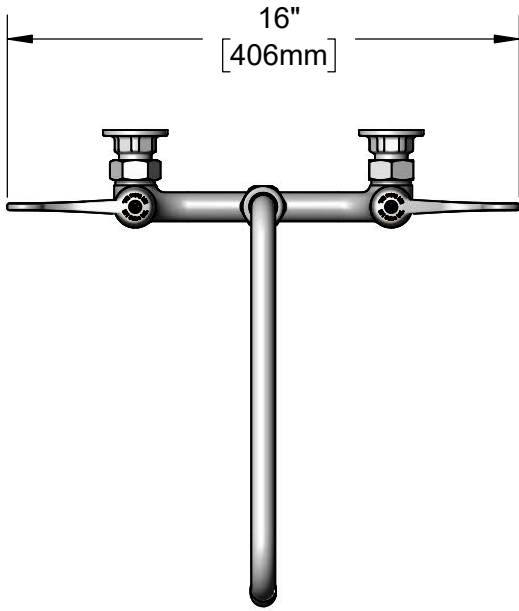
Job Name \_\_\_\_\_ Date \_\_\_\_\_

Model Specified \_\_\_\_\_ Quantity \_\_\_\_\_

Customer/Wholesaler \_\_\_\_\_

Contractor \_\_\_\_\_

Architect/Engineer \_\_\_\_\_



Model Number

**SIF-F8WW12**

Product Specifications:

**8" Wall Mount Mixing Faucet, Quarter-Turn Ceramic Cartridges, EFI Wrist Action Handles, 12" Swing Nozzle & 1/2" NPT Female Inlets**

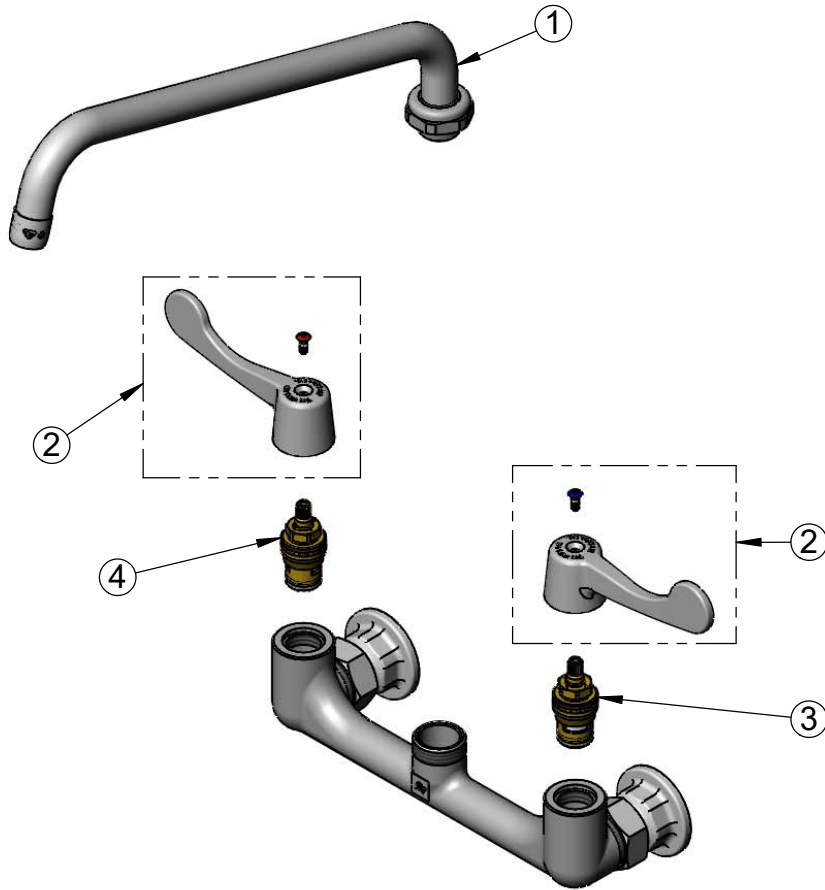
Product Compliance:

ASME A112.18.1 / CSA B125.1  
NSF 61 - Section 9  
NSF 372 (Low Lead Content)  
ANSI A117.1 (ADA)



26895 Gloucester Way  
Langley BC V4W 3Y3  
Toll Free: 1.888.565.9020  
Phone: 604.607.8850  
efifoodequip.com

ITEM NO.	SALES NO.	DESCRIPTION
1	SIF-SN12	12" Swing Nozzle
2	SIF-WA4	EFI Wrist Action Handle w/ Color Coded Screws
3	013788-45	Quarter-Turn Ceramic Cartridge, LTC
4	013787-45	Quarter-Turn Ceramic Cartridge, RTC



Model Number

SIF-F8WW12

Product Specifications:

8" Wall Mount Mixing Faucet, Quarter-Turn Ceramic Cartridges, EFI Wrist Action Handles, 12" Swing Nozzle & 1/2" NPT Female Inlets

Product Compliance:

ASME A112.18.1 / CSA B125.1  
NSF 61 - Section 9  
NSF 372 (Low Lead Content)  
ANSI A117.1 (ADA)

**efi sales Ltd**

26895 Gloucester Way  
Langley BC V4W 3Y3  
Toll Free: 1.888.565.9020  
Phone: 604.607.8850  
efifoodequip.com