



ADA Compliant

This Space for Architect/Engineer Approval

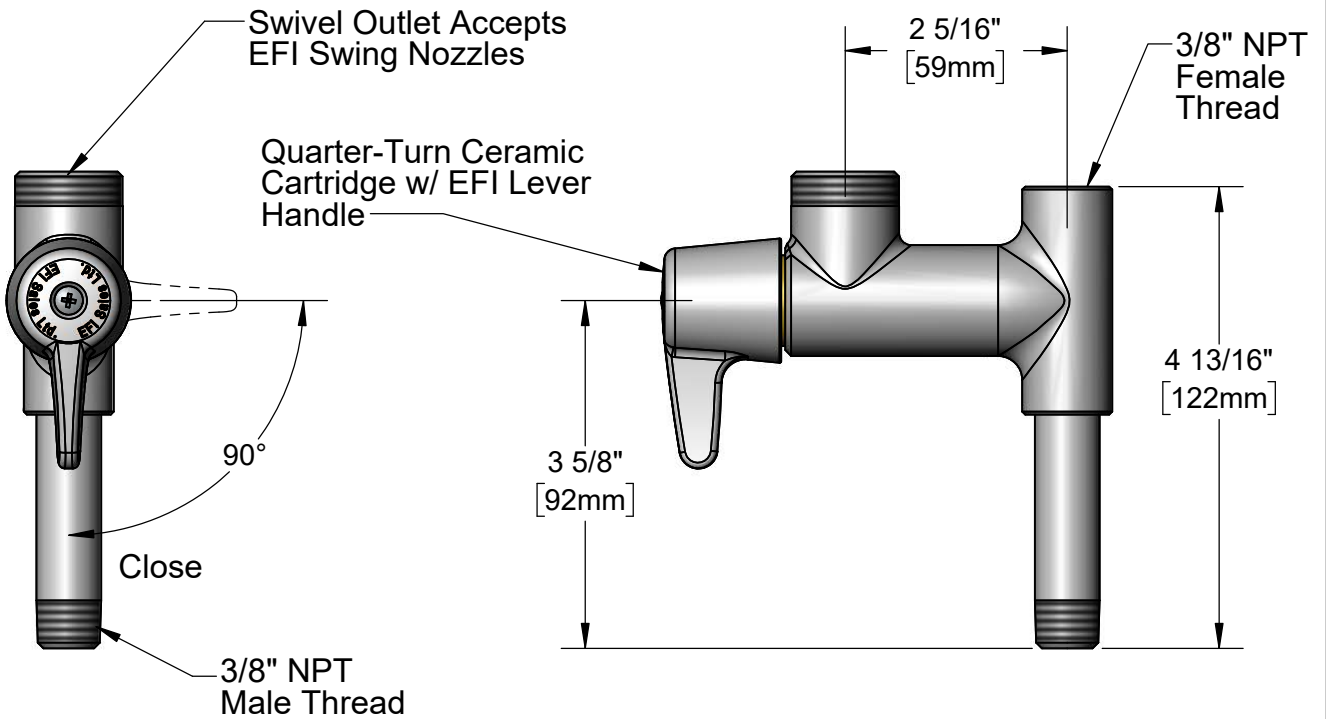
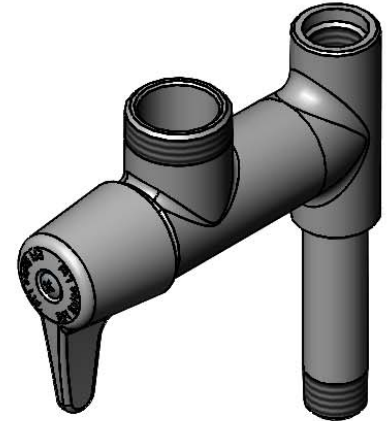
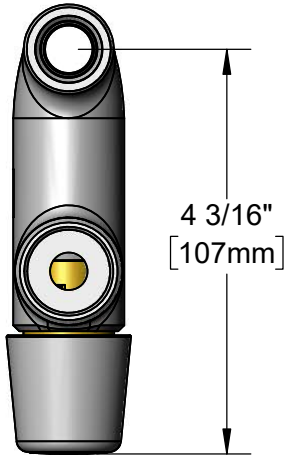
Job Name _____ Date _____

Model Specified _____ Quantity _____

Customer/Wholesaler _____

Contractor _____

Architect/Engineer _____



Model Number
SIF-AF00

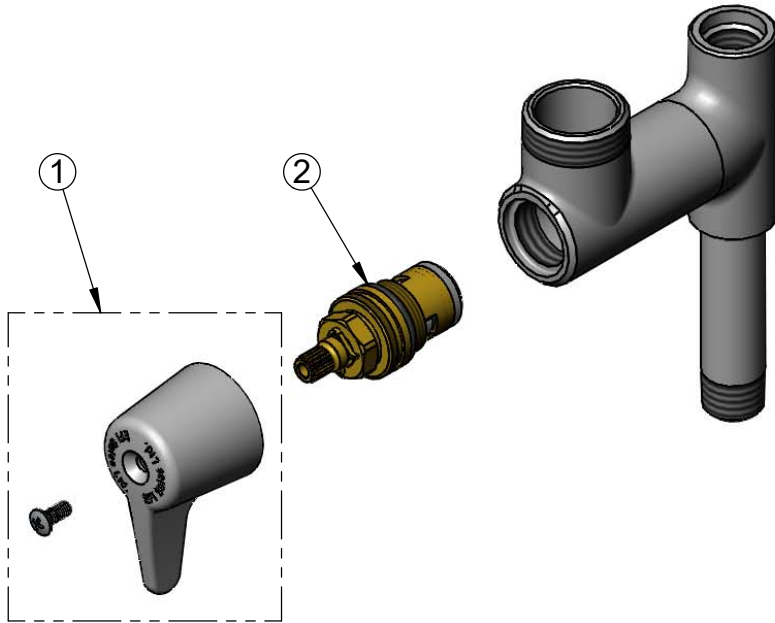
Product Specifications:
**Add-On Faucet, Quarter-Turn Ceramic Cartridge,
EFI Lever Handle & Less Nozzle**

Product Compliance:
ASME A112.18.1 / CSA B125.1
NSF 61 - Section 9
NSF 372 (Low Lead Content)
ANSI A117.1 (ADA)



26895 Gloucester Way
Langley BC V4W 3Y3
Toll Free: 1.888.565.9020
Phone: 604.607.8850
efifoodequip.com

ITEM NO.	SALES NO.	DESCRIPTION
1	SIF-LVR	Lever Handle w/ Blue Color Coded Screw
2	013787-45	Quarter-Turn Ceramic Cartridge, RTC



Model Number
SIF-AF00

Product Specifications:
Add-On Faucet, Quarter-Turn Ceramic Cartridge,
EFI Lever Handle & Less Nozzle

Product Compliance:
ASME A112.18.1 / CSA B125.1
NSF 61 - Section 9
NSF 372 (Low Lead Content)
ANSI A117.1 (ADA)



26895 Gloucester Way
Langley BC V4W 3Y3
Toll Free: 1.888.565.9020
Phone: 604.607.8850
efifoodequip.com