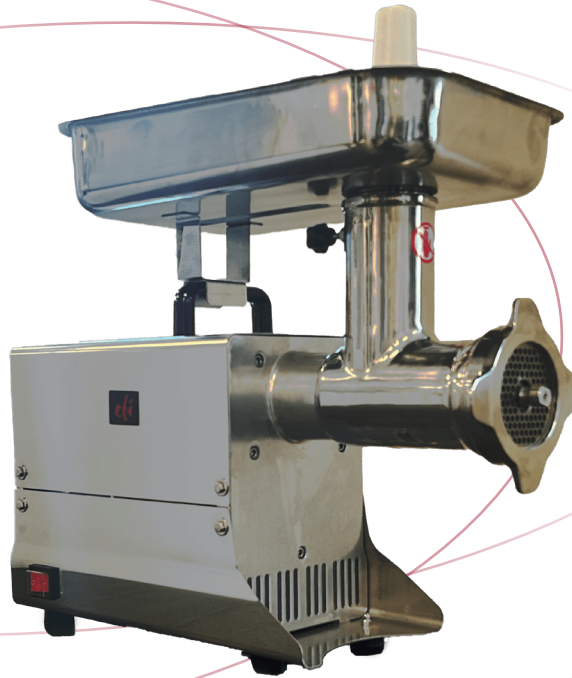


**efi** sales Ltd.

Equipment for the Foodservice Industry  
value + quality + service

## Meat Mincer Grinder

SA-MMSS98



**SA-MMSS98**

**Features**

Features:

- Rugged body made from stainless steel
- All stainless steel cutting mechanisms
- 320kg/hour output
- Approximately 3.85" throat opening
- Includes 1 knife and 2 grater plate

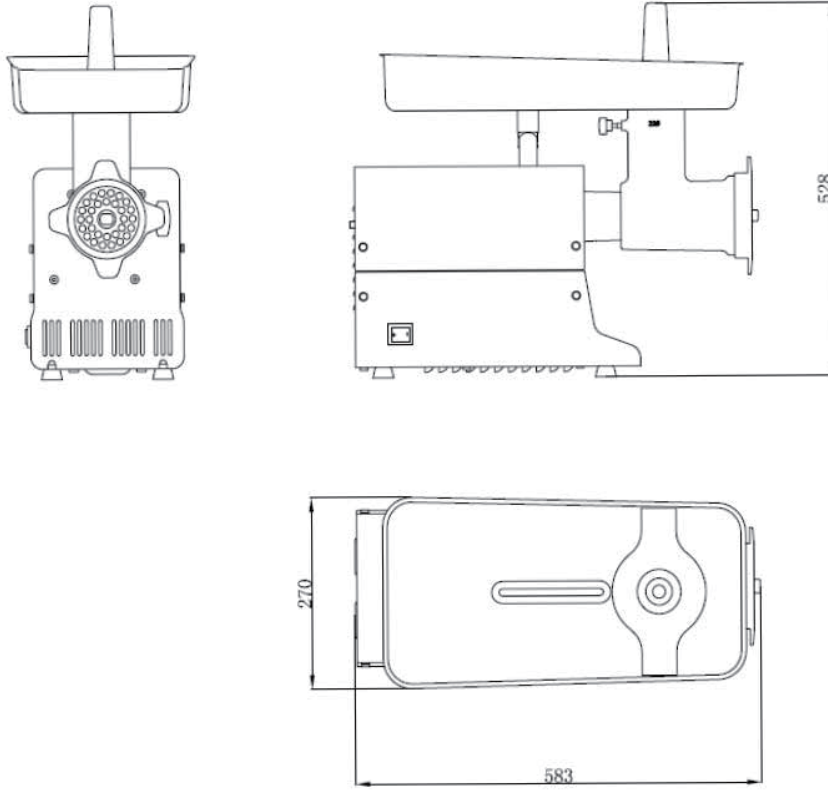
Warranty:

- One year parts and labour. *For full warranty details visit <https://www.efifoodequip.com/warranty-info.php>.*




**SA-MMSS98**

**Specifications**



Model	Dimension (mm) (inch)			Blade Size	Wattage	Hourly Output	Net Weight (KG) (LBS)
	W	D	H				
SA-MMSS98	270	583	528	98mm	1500w	320 kg/hr	31
	10.6	23.0	20.8				68.3

Equipped with one NEMA 5-15P plug 

**Shipping Information**

Crate Dimensions (mm) (inch)			Net Weight (KG) (LBS)	Gross Weight (KG) (LBS)
W	D	H		
320	650	520	31	33.6
12.6	25.6	20.5	68.3	74.1

Specifications subject to change without notice.