

efi sales Ltd.

Equipment for the Foodservice Industry
value + quality + service

Hamburger Patty Maker - 6"

SA-HF06



SA-HF06

Features

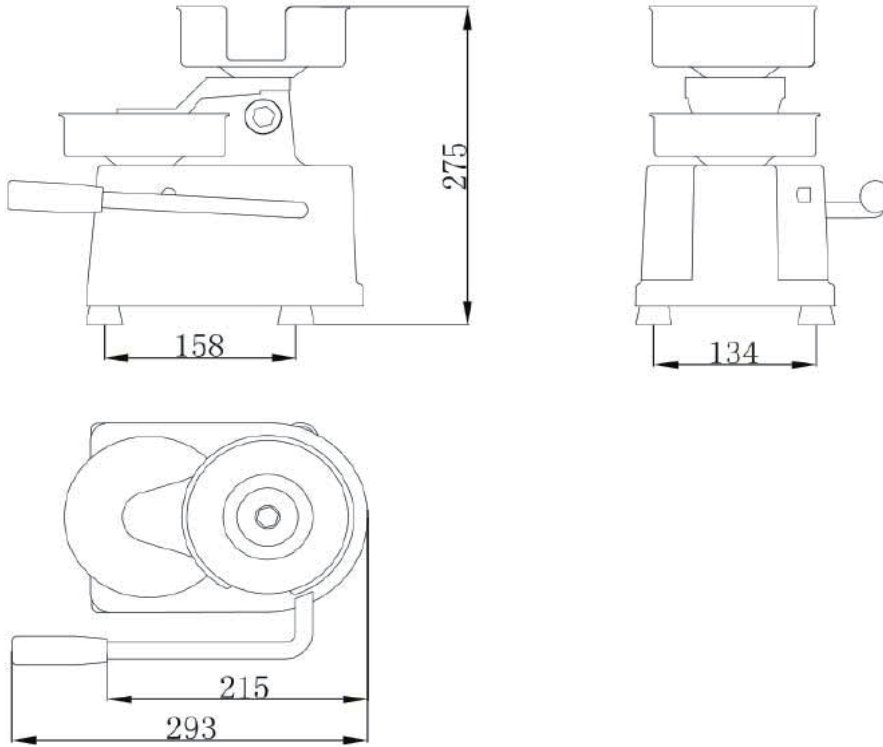
Features:

- Anodized aluminum body
- Food grade stainless steel for all food contact areas
- Produces 6 patty, approximately 224 grams each
- Easy to operate and clean



SA-HF06

Specifications



Model	Dimension (mm) (inch)			Hamburger Patty Size	Weight of Patty	Net Weight (KG) (LBS)
	W	D	H			
SA-FWHF06	210	293	275	6" Patty	224 grams	6.2
	8.3	11.5	10.8			13.7

Shipping Information

Crate Dimensions (mm) (inch)			Net Weight (KG) (LBS)	Gross Weight (KG) (LBS)
W	D	H		
245	305	330	6.2	7
9.6	12.0	13.0	13.7	15.4

Specifications subject to change without notice.