

efi sales Ltd.

Equipment for the Foodservice Industry
value + quality + service

Hamburger Patty Maker - 4"

SA-HF04



SA-HF04

Features

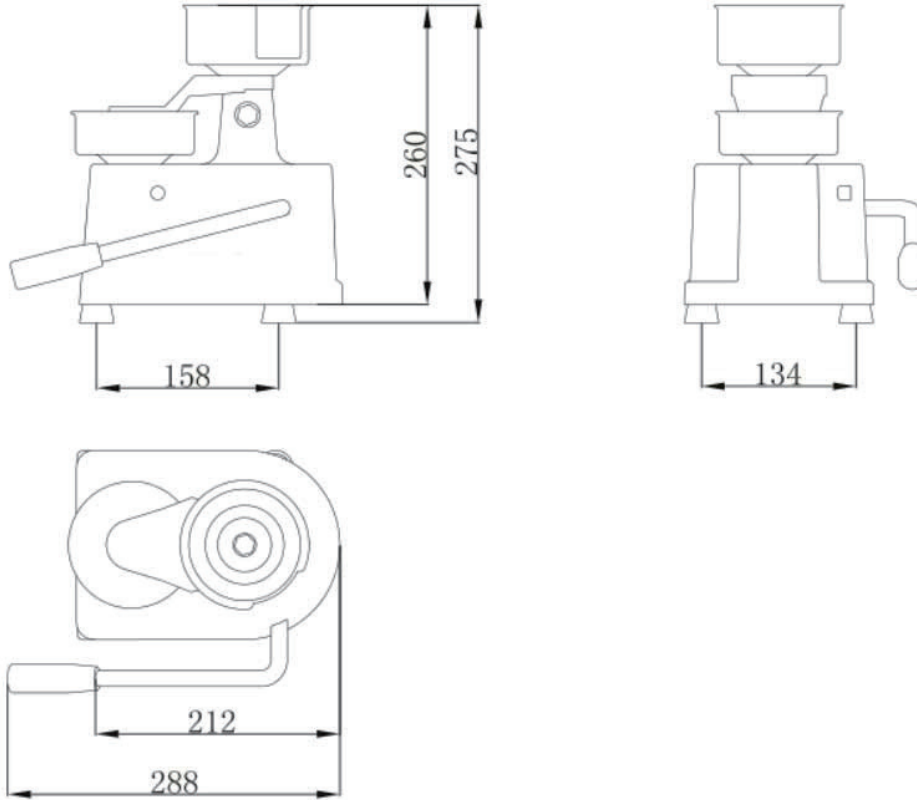
Features:

- Anodized aluminum body
- Food grade stainless steel for all food contact areas
- Produces 4" patty, approximately 100 grams each
- Easy to operate and clean



SA-HF04

Specifications



Model	Dimension (mm) (inch)			Hamburger Patty Size	Weight of Patty	Net Weight (KG) (LBS)
	W	D	H			
SA-FWHF04	210	288	275	4" Patty	100 grams	5.26
	8.3	11.3	10.8			11.6

Shipping Information

Crate Dimensions (mm) (inch)			Net Weight (KG) (LBS)	Gross Weight (KG) (LBS)
W	D	H		
245	295	330	5.26	5.92
9.6	11.6	13.0	11.6	13.1

Specifications subject to change without notice.