

efi sales Ltd.

Equipment for the Foodservice Industry
value + quality + service

Industrial Bone Saw (65" Blade)

SA-BS65



SA-BS65

Features

Features:

- Cast aluminum body
- Stainless steel table
- High carbon steel blade
- 7" maximum cutting thickness
- 1400 rotations per minute
- 65" long saw blade
- Blade tension knob
- Best suited for light-medium applications

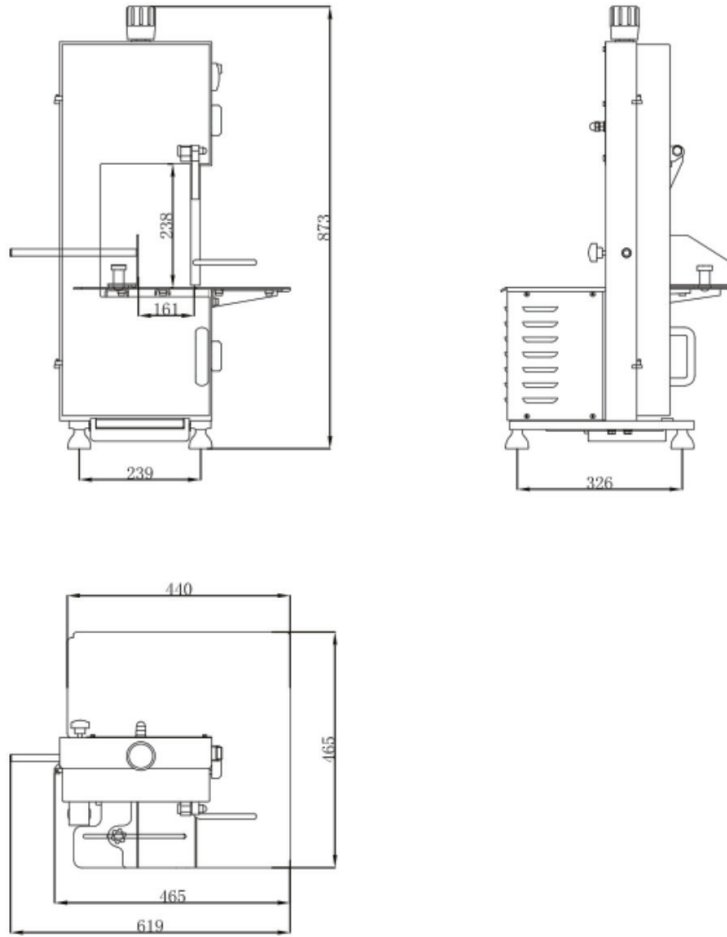
Warranty

- 1 year parts and labour



SA-BS65

Specifications



Model	Dimension (mm) (inch)			Blade Length (mm) (inch)	Table Dimensions (mm) (inch)		Voltage	Amps	Net Weight (KG) (LBS)
	W	D	H		W	D			
SA-BS65	465	619	873	1660	465	440	120/60	3.26	40.6
	18.3	24.4	34.4	65	18.3	17.3			89.5

Equipped with one NEMA 5-15P plug 

Shipping Information

Crate Dimensions (mm) (inch)			Net Weight (KG) (LBS)	Gross Weight (KG) (LBS)
W	D	H		
550	520	1020	40.6	57.2
21.7	20.5	40.2	89.5	126

Specifications subject to change without notice.