



Equipment for the Foodservice Industry
value + quality + service

Salamander Broiler

RCTSM-36



RCTSM-36

Features

Features:

- Durable stainless steel structure that is corrosion resistant and easy to clean
- High efficient ceramic infrared burner, for quick and even heating
- Standby pilots
- Independent manual controls to save energy
- 3/4" NPT on rear of appliance
- Simple and reasonable
- Easy to maintain
- Mounting kits available to save kitchen space (36" ranges can use wall mount or range mount kits, all other size ranges use the wall mount kit)

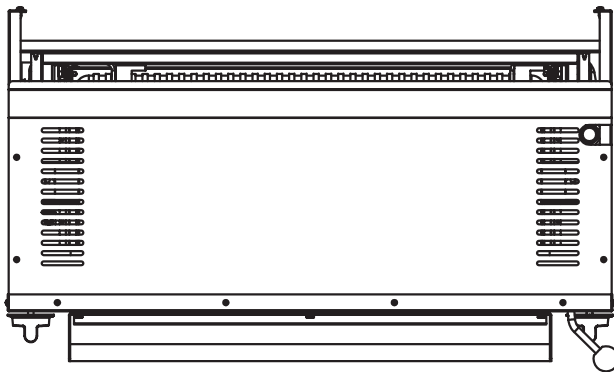
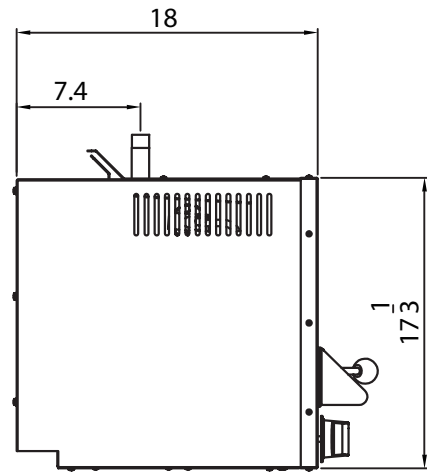
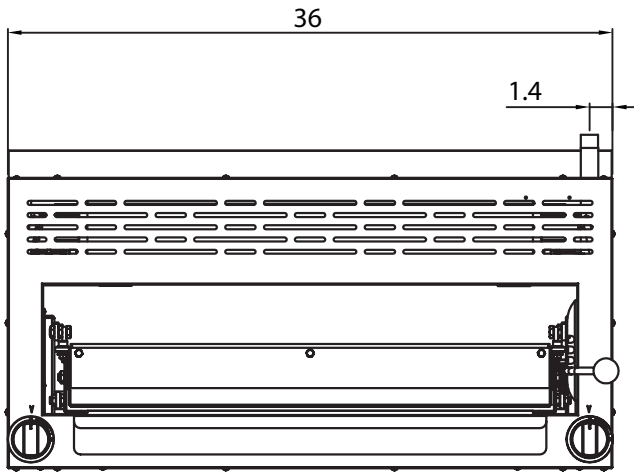
Warranty:

- One year limited warranty parts and labour.
For full warranty details visit <https://www.efifoodequip.com/warranty-info.php>



RCTSM-36

Specifications



Model	Burners	Ignition	Gas type	Intake-tube pressure (in.W.C.)	Per BTU B.T.U./h	Total BTU B.T.U./h	Nozzle No.	Net weight (LBS) rock
RCTSM-36-N	2	Manual	NG	5	21,500	43,000	#47	143
RCTSM-36-P			LP	10	21,500	43,000	#54	

Specifications subject to change without notice.