

efi sales Ltd.

Equipment for the Foodservice Industry

value + quality + service

Cube Ice Machine

Model No:
IM-500



IM-500

Features

Features:

- Convenient, built-in scoop holder
- Easily removable baffle, no tools required for cleaning
- Light weight
- Corrosion resistant
- Ice scoop included
- Makes full cube sized ice

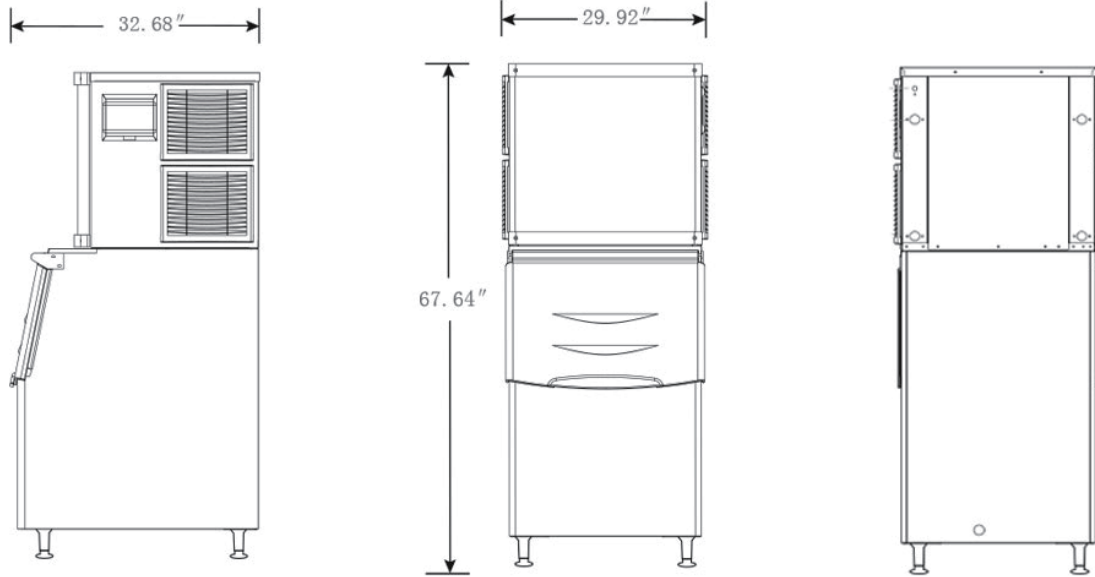
Warranty:

- One year parts and labour. For full warranty details visit <https://www.efifoodequip.com/warranty-info.php>



IM-500

Specifications



Model	Refrigerant	Dimension (mm) (inch)			Condenser Unit	Voltage (V/Hz)	Power (W)	Bin Capacity (kg) (lb)	Output LB/24hr (kg) (lb)	Net Weight (kg) (lb)
		W	D	H						
IM-500	R290	760	830	1718	Air	115/60	1113	170	225	120
		30	32.7	67.6				375	500	264

Specifications subject to change without notice.