

**efi** sales Ltd.

Equipment for the Foodservice Industry

value + quality + service

## Hot Show Cases

HCGS-4826



### HCGS-4826

### Features

#### Features:

- Brilliant internal LED illumination on top
- Adjustable temperature controller
- Temperature display
- Adjustable chrome plated shelves
- Front and back sliding doors

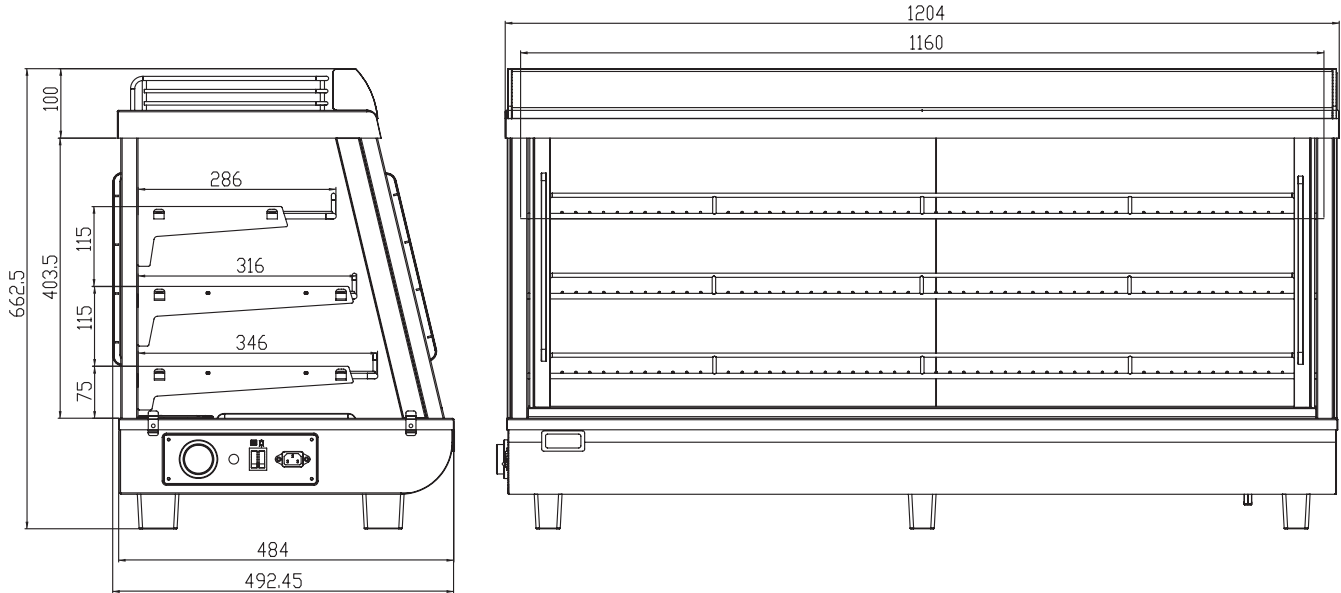
#### Warranty:

- One year limited warranty parts and labour.  
*For full warranty details visit <https://www.efifoodequip.com/warranty-info.php>*



**HCGS-4826**

**Specifications**



Model	Dimension			Voltage	Amps	Capacity (L) (Cu Ft.)	Net Weight (KG) (LBS)	Temperature Range
	L	D	H					
HCGS-4826	1214.5	484	662.5	115/60	12.8	186	53.5	30-90°C
	47.8	19.1	26.1			6.6	117.7	86-194°F

Equipped with one NEMA 5-15P plug 

*Specifications subject to change without notice.*