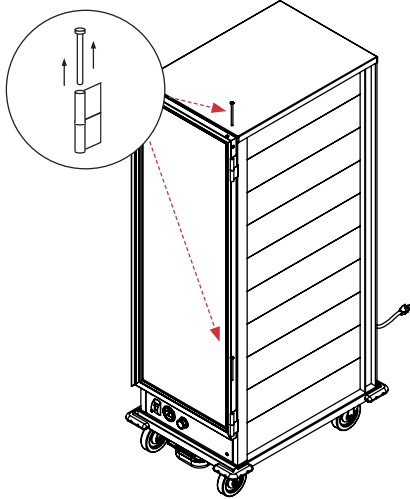
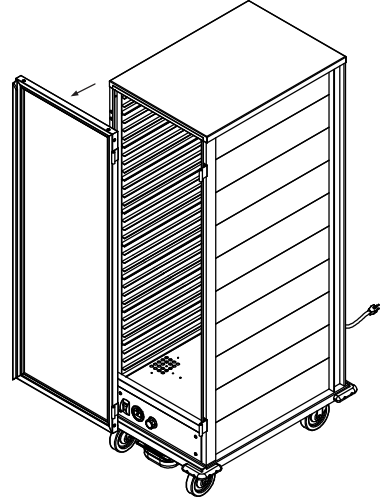


To Change Right Hinge to Left Hinge:

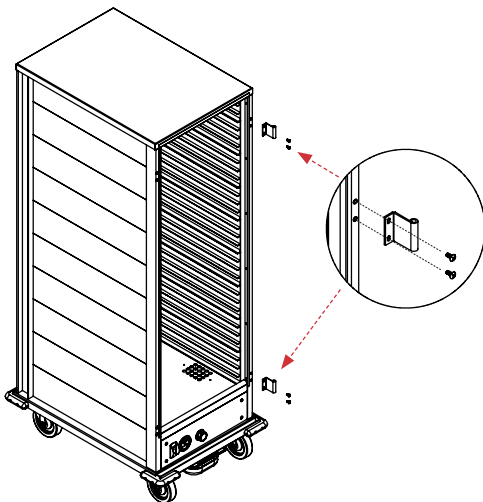
1. Remove the hinge pins upward.



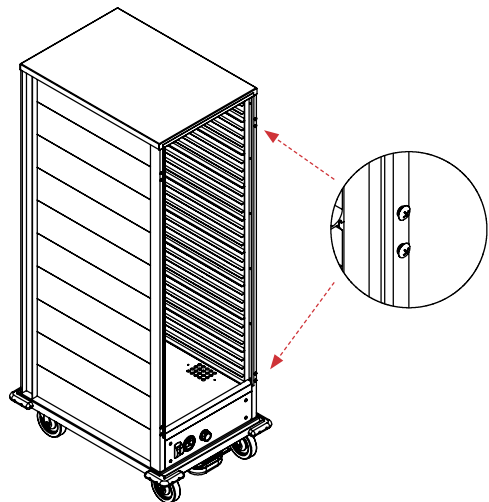
2. Remove the door.



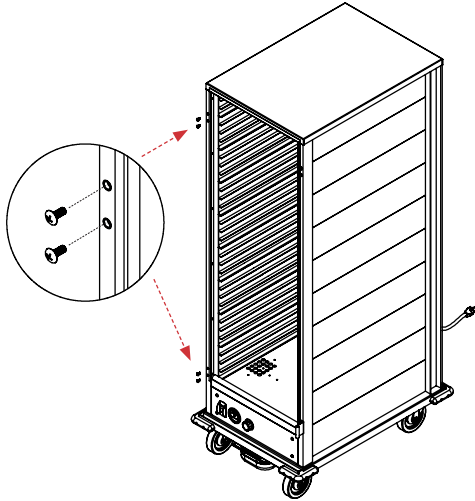
3. Use a crosshead screwdriver to remove the M5 screws and remove the hinges on the cabinet's right post.



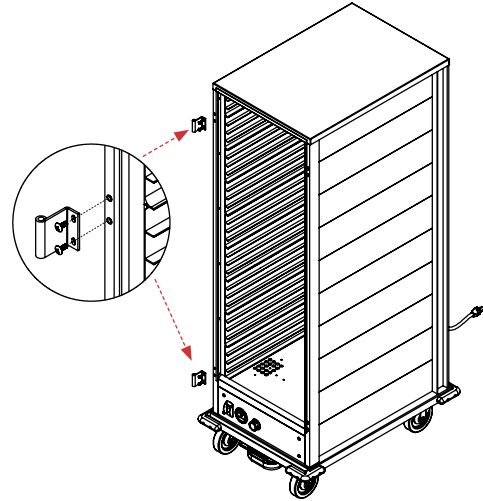
4. Replace the M5 screws on the cabinet's right post and tighten fully.



5. Remove the M5 screws from the cabinet's left post.



6. Install the hinges on the cabinet's left post that were removed from the right post.



7. Install the door to the cabinet's left post and insert the hinge pins.

