



Equipment for the Foodservice Industry

value + quality + service

## Novelty Refrigeration

FCCG-26



### FCCG-26

### Features

#### Features:

- Durable white powder coated steel exterior with white precoated steel interior
- Temperature display
- PVC coated basket included
- Sliding doors with curved top glass for easy access
- Built in lock to secure products
- Eco-friendly R-290 refrigerant
- Low profile casters with locks

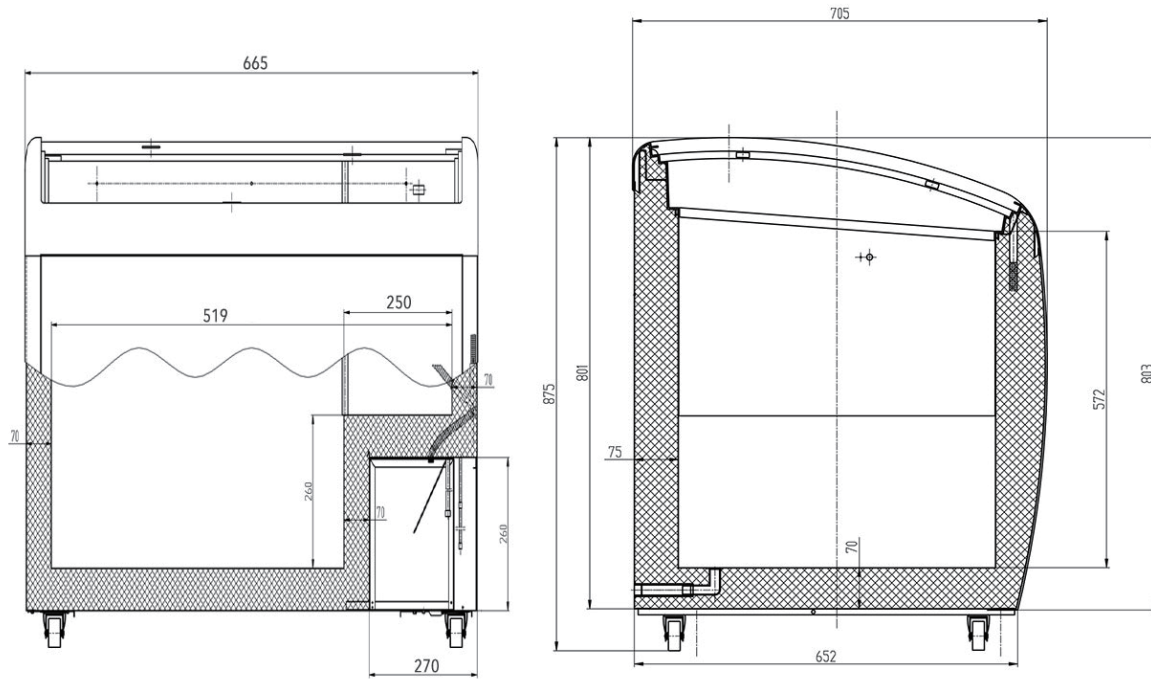
#### Warranty:

- One year limited warranty parts and labour.  
*For full warranty details visit <https://www.efifoodequip.com/warranty-info.php>*



**FCCG-26**

**Specifications**



Model	Baskets	Dimension (mm) (inch)			HP	Voltage	Amps	Capacity (L) (Cu Ft.)	Net Weight (KG) (LBS)	Temperature Range	NEMA Config.
		L	D	H							
FCCG-26	1	665	705	875	1/4+	115/60/1	3	161.4	49	≤ -26°C	5-15A
		26.2	27.8	34.5				5.7	108	≤ -15°F	

Equipped with one NEMA 5-15P plug 

*Specifications subject to change without notice.*