



Equipment for the Foodservice Industry

value + quality + service

## X-LINE 31" Glass Single Door Black Cooler

Model No:

**F1-31GDVCX**



### F1-31GDVCX

### Features

#### Features:

- Evaporator fan motor that stops when door is open to conserve energy
- Removable gasket that is easy to clean and replace
- Adjustable/removable plastic coated wire shelves
  - Shelves can be set-up to hold standard full size hotel pans
- Bottom-mounted cooling unit is easy to remove and clean
- Outstanding temperature preservation reduces energy consumption via foamed-in

polyurethane cell insulation

- Auto evaporation of defrosting water
- Round corner design for inner bottom shelf to facilitate easy cleaning
- Cold air circulation via fan for temperature balance
- Freezer unit holds -10°F to 0°F (-23°C to -18°C)

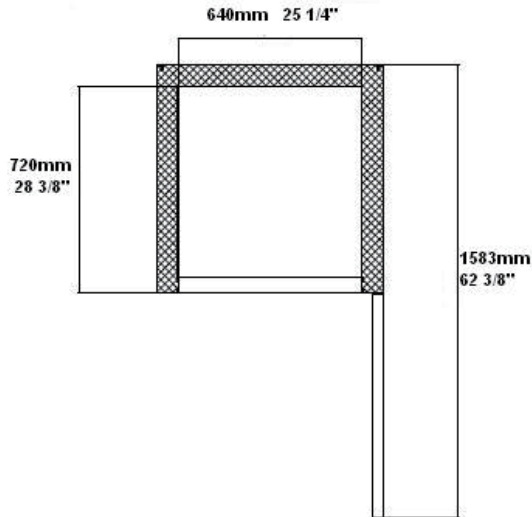
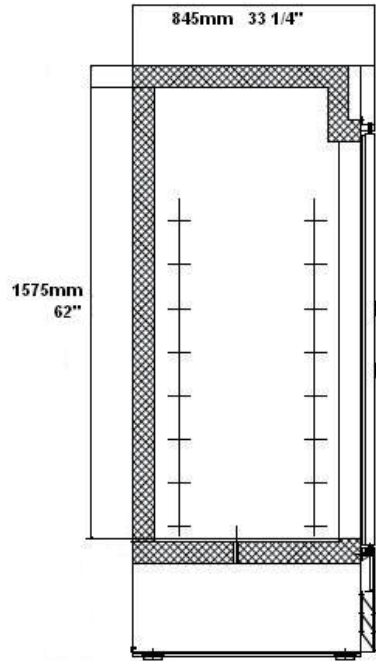
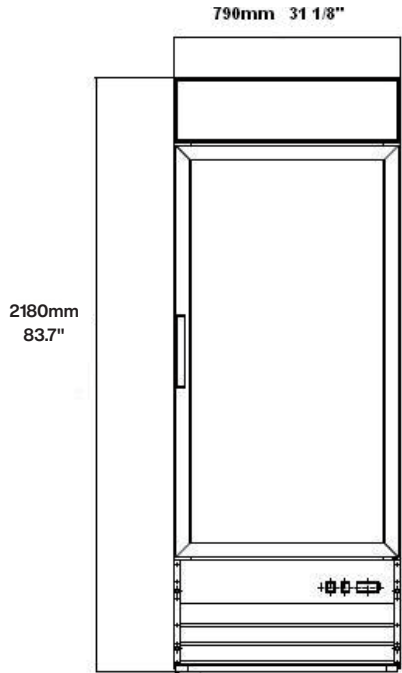
#### Warranty:

- Two year parts and labour; Five years on compressor. *For full warranty details visit <https://www.efifoodequip.com/warranty-info.php>*



**F1-31GDVCX**

**Specifications**



Model	Doors	Shelves	Dimension (mm) (inch)			HP	Voltage	Amps	Capacity (L) (Cu Ft.)	Net Weight (KG) (LBS)	Temperature Range	NEMA Config.
			L	D	H							
F1-31GDVCX	1	4	789.9	795	2180	3/4	115/60/1	9.4	648	165	-23 ~ -18°C	5-15P ⓘ
			31.1	33.3	85.8				23	364	-10 ~ 0°F	

Specifications subject to change without notice.