



Equipment for the Foodservice Industry
value + quality + service

Equipment Stands



Equipment Stands

Features

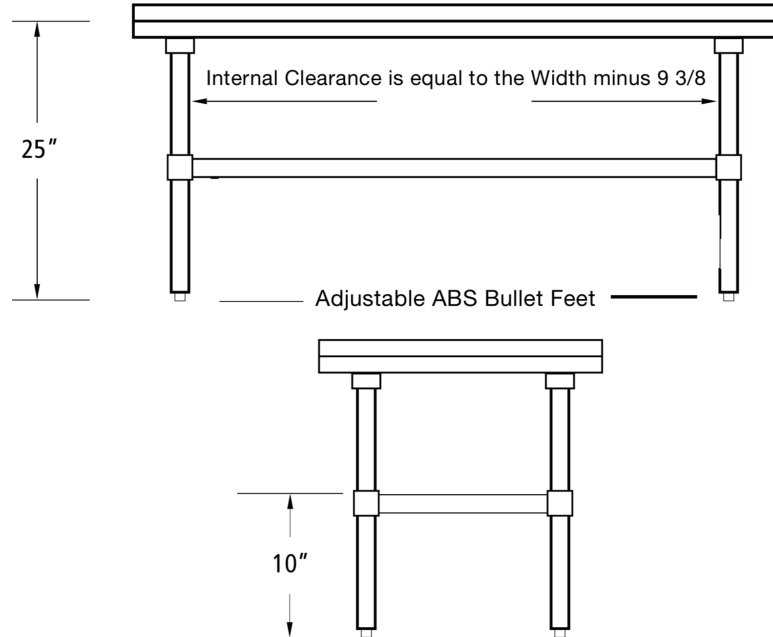
Features:

- 1 1/2" riser on three sides to securely hold equipment in place
- Heavy duty, 18 gauge, Type 430 stainless steel top provides long life
- Top is TIG welded
- Entire top surface is machine polished to a satin finish
- Reinforced to exceed industry standards
- Galvanized hat channels are secured to top by structural adhesive and weld studs
- Gussets welded to support hat sections
- Hemmed edges provide strength and safety
- Galvanized legs and undershelf for durability and economy
- Die cast reinforced leg sockets for stability
- Legs are 1 5/8" diameter
- Adjustable ABS bullet feet to accommodate uneven flooring
- Simple assembly
- Shipped unassembled for reduced cost and space



Equipment Stands

Specifications



EQUIPMENT STANDS 24" DEPTH

Product #	Width	Shipping Dimensions			Weight (lb)
		W"	D"	H"	
TES2412	12"	14	26	5	31
TES2414	14"	16	26	5	33
TES2416	16"	18	26	5	35
TES2418	18"	20	26	5	38
TES2424	24"	26	26	5	40
TES2430	30"	32	26	5	45
TES2436	36"	38	26	5	49
TES2448	48"	50	26	5	60
TES2460	60"	62	26	5	80
TES2472	72"	74	26	5	98

EQUIPMENT STANDS 30" DEPTH

Product #	Width	Shipping Dimensions			Weight (lb)
		W"	D"	H"	
TES3012	12"	14	32	5	32
TES3014	14"	16	32	5	34
TES3016	16"	18	32	5	37
TES3018	18"	20	32	5	40
TES3024	24"	26	32	5	48
TES3030	30"	32	32	5	52
TES3036	36"	38	32	5	57
TES3044	44"	46	32	5	65
TES3048	48"	50	32	5	69
TES3060	60"	62	32	5	75
TES3072	72"	74	32	5	100

Specifications subject to change without notice.