



Equipment for the Foodservice Industry

value + quality + service

## Dish Rack Cabinets



TDR2024



**Dish Rack Cabinets**

**Features**

Features:

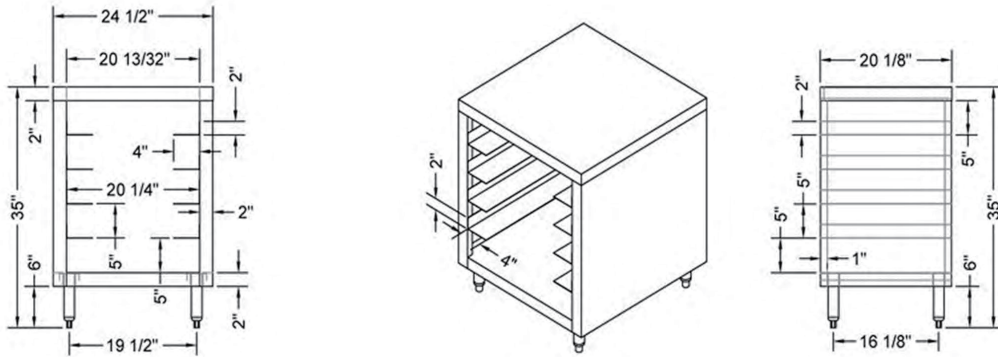
- High usage items can remain in dish racks, which will improve efficiency by reduced handling
- Heavy duty, 18 gauge, Type 430 stainless steel provides long life
- Reinforced to exceed industry standards
- Hemmed edges provide strength and safety
- Shipped with legs not attached
- Die cast reinforced leg sockets for stability
- Legs are 1 5/8" diameter
- Adjustable ABS bullet feet to accommodate uneven flooring



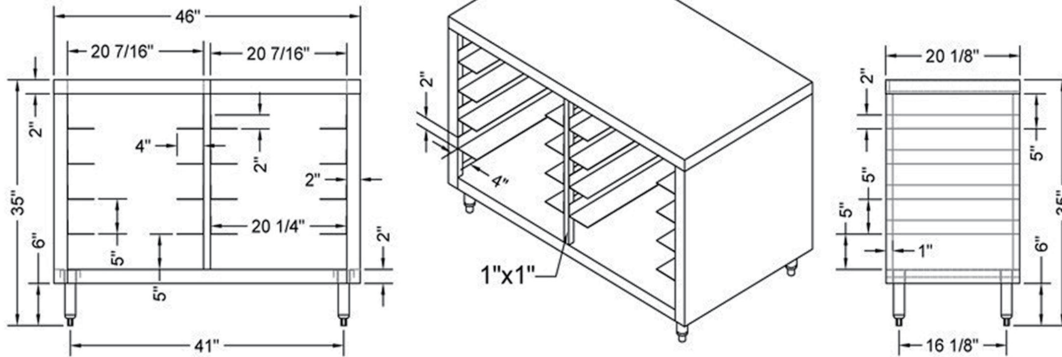
**Dish Rack Cabinets**

**Specifications**

**TDR2024 - dimensions**



**TDR2046 - dimensions**



TDR2046 

Product #	Width	Height	Shipping Dimensions			Weight (lb)
			W"	D"	H"	
TDR2024	24"	35"	27	22	31	133
TDR2046	46"	35"	47	22	31	155

*Specifications subject to change without notice.*