



Equipment for the Foodservice Industry

value + quality + service

Dish Cabinets



Dish Cabinets

Features

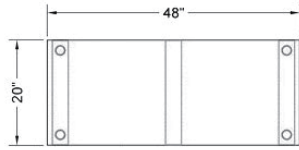
Features:

- Heavy duty, 18 gauge, Type 430 stainless steel provides long life
- Reinforced to exceed industry standards
- Hemmed edges provide strength and safety
- Shipped with legs not attached
- Die cast reinforced leg sockets for stability
- Legs are 1 5/8" diameter
- Adjustable ABS bullet feet to accommodate uneven flooring
- 84" and above have 6 legs

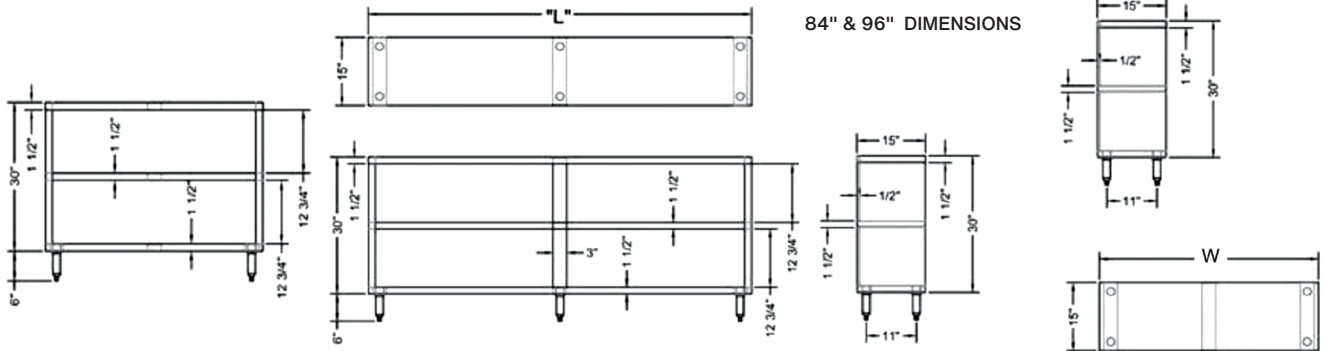
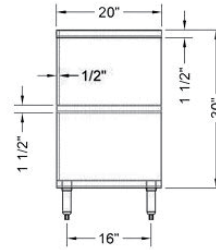
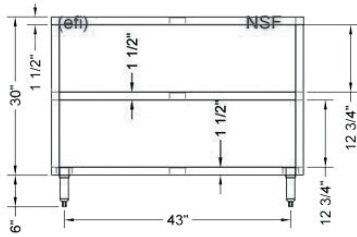
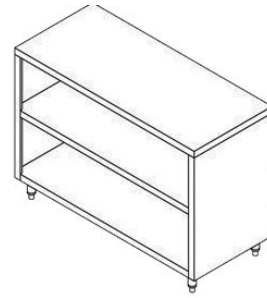


Dish Cabinets

Specifications



48" DIMENSIONS



84" & 96" DIMENSIONS

DISH CABINETS 15" DEPTH

Product #	Width	Shipping Dimensions			Weight (lb)
		W"	D"	H"	
TDC1548	48"	50	16	31	75
TDC1560	60"	62	16	31	93
TDC1572	72"	74	16	31	111
TDC1584	84"	86	16	31	133
TDC1596	96"	98	16	31	153

DISH CABINETS 20" DEPTH

Product #	Width	Shipping Dimensions			Weight (lb)
		W"	D"	H"	
TDC2048	48"	50	21	31	75
TDC2060	60"	62	21	31	93
TDC2072	72"	74	21	31	111
TDC2084	84"	86	21	31	133
TDC2096	96"	98	21	31	153

Specifications subject to change without notice.



EFI Sales Ltd.
Toronto Office
515 Hanlon Creek Blvd
Guelph, ON N1C 0A1

EFI Sales Ltd.
Vancouver Office
26895 Gloucester Way
Langley, BC V4W 3Y3

Distribution Facilities:
Toronto, ON
Langley, BC

(888) 565-9920 Toll Free
(519) 822-1895 Toronto
(604) 607-8850 Vancouver
info@efifoodequip.com
www.efifoodequip.com