



Equipment for the Foodservice Industry

value + quality + service

Work Top Refrigeration

CWDW2-27VC



CWDW2-27VC

Features

Features:

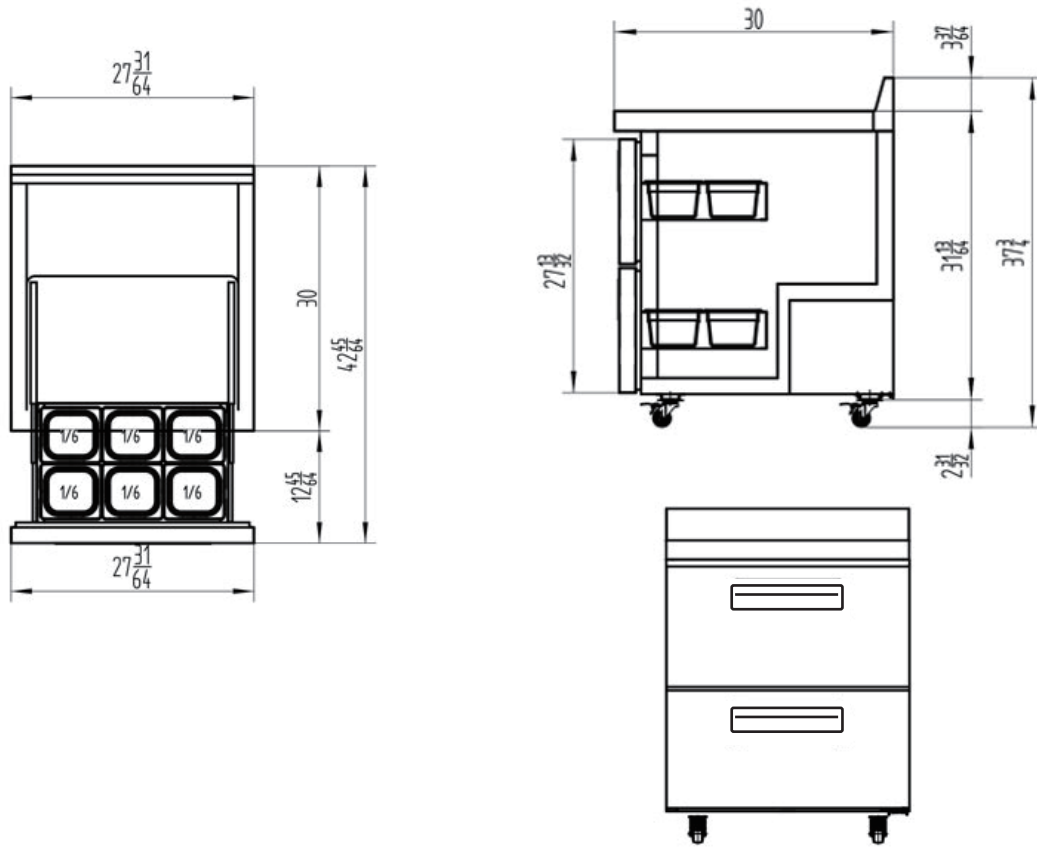
- Exterior & interior stainless steel construction
- Heavy duty Embraco compressor
- Efficient refrigeration system
- Recessed drawer handle
- Removable gasket that is easy to clean and replace
- Casters for easy movement

Warranty:


- Two year parts and labour; Five years on compressor. For full warranty details visit <https://www.efifoodequip.com/warranty-info.php>



CWDW2-27VC Specifications



Model	Refrigerant	Doors	Shelves	Dimension (mm) (inch)			HP	Voltage	Amps	Capacity (L) (Cu Ft.)	Net Weight (KG) (LBS)	Temperature Range
				L	D	H						
CWDW2-27VC	R290	-	-	698	762	959	1/6	115/60	3.2	184	90	1 ~ 8°C
				27.5	30.0	37.8				6.5	198	33 ~ 45°F

Equipped with one NEMA 5-15P plug 

Shipping Information

Crate Dimensions (mm) (inch)			Net Weight (KG) (LBS)	Gross Weight (KG) (LBS)
L	D	H		
752	831	1077	70	84
29.6	32.7	42.4	154	185

Specifications subject to change without notice.