



Equipment for the Foodservice Industry  
value + quality + service

## X-LINE 48" Refrigerated Salad/ Sandwich Prep Table

Model No:  
**CSDR2-48VCX**



### CSDR2-48VCX

### Features

#### Features:

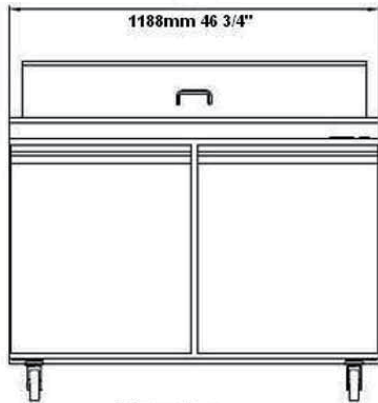
- Stainless steel interior and exterior
- Round corner design for inner bottom board
- Polyethylene cutting board
- Self-closing swing door w/90°stay open feature
- Recessed handles
- Removable gasket that is easy to clean and replace
- Adjustable/removable plastic coated wire shelves
- Enclosed condiment section
- R290 refrigeration system holds 33°F to 41°F (0.5°C to 5°C)
- Insulated lid on prep units helps to maintain food freshness
- Casters for easy movement
- Adjustable temperature set point and defrost frequency
- Error codes to diagnose service issues
- Condenser access at rear of unit, slides out for easy maintenance

#### Warranty:

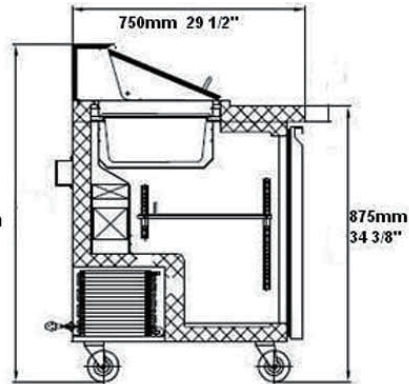
- Two year parts and labour; Five years on compressor. For full warranty details visit <https://www.efifoodequip.com/warranty-info.php>



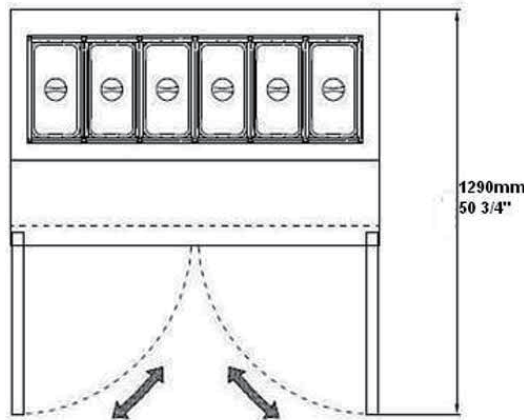
**CSDR2-48VCX Specifications**



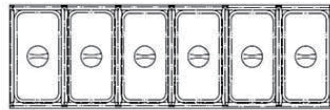
Elevation



Section View




Plan



PAN LAYOUTS 1  
6 (pcs) 1/3 pans



PAN LAYOUTS 2  
12 (pcs) 1/6 pans

Model	Doors	Shelves	Dimension (mm) (inch)			HP	Voltage	Amps	Capacity (L) (Cu Ft.)	Net Weight (KG) (LBS)	NEMA Config.
			W	D	H						
CSDR2-48VCX	2	2	1188	750	1055	2/5	115/60/1	4.56	269	123	5-15P 
			46.8	29.5	41.5						

Specifications subject to change without notice.