

efi sales Ltd.

Equipment for the Foodservice Industry

value + quality + service

93" Refrigerated Pizza Prep Table

Model No:
CPDR3-93VC



CPDR3-93VC

Features

Features:

- Exterior & interior stainless steel construction
- Environmentally friendly R290 refrigerant
- Includes 12 (1/3-size) 4" deep clear polycarbonate food pans in countertop prep area
- Full length removable cutting board included
- Heavy duty Embraco compressor
- Self-closing and stay open door
- Efficient refrigeration system
- Recessed door handle
- Magnetic door gaskets
- Casters for easy movement

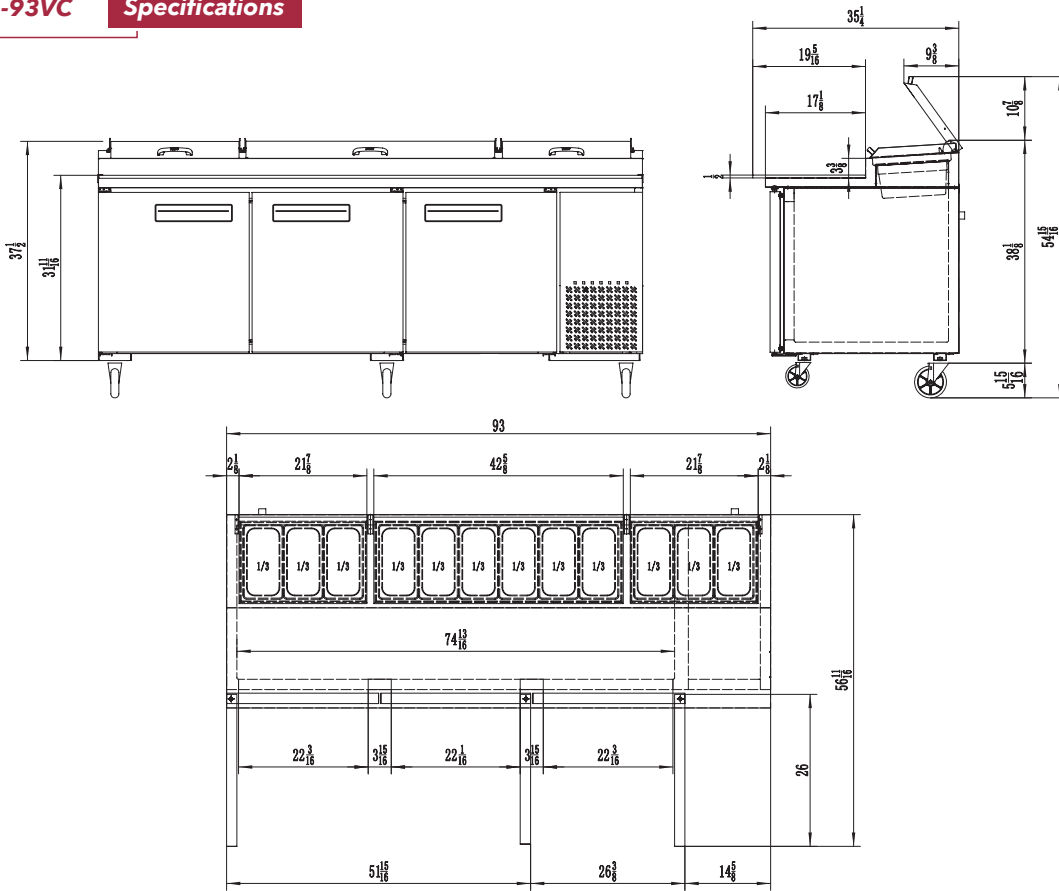
- Pre-installed shelves
- Removable lid/top

Warranty:

- Two year parts and labour; Five years on compressor. For full warranty details visit <https://www.efifoodequip.com/warranty-info.php>



CPDR3-93VC Specifications



Model	Refrigerant	Doors	Shelves	Dimension (mm) (inch)			HP	Voltage	Amps	Capacity (L) (Cu Ft.)	Net Weight (KG) (LBS)	Temperature Range
				L	D	H						
CPDR3-93VC	R290	3	6	2362	840	1035	1/3	115/60	3.1	804	194	1 ~ 8°C
				93.0	33.1	40.7				28.4	427	33 ~ 45°F

Equipped with one NEMA 5-15P plug 

Shipping Information

Crate Dimensions (mm) (inch)			Net Weight (KG) (LBS)	Gross Weight (KG) (LBS)
L	D	H		
2416	909	1166	194	239
95.1	35.8	45.9	428	527

Specifications subject to change without notice.