



Equipment for the Foodservice Industry

value + quality + service

Pizza Prep Table

CPDR1-44VC-L



CPDR1-44VC-L Features

Features:

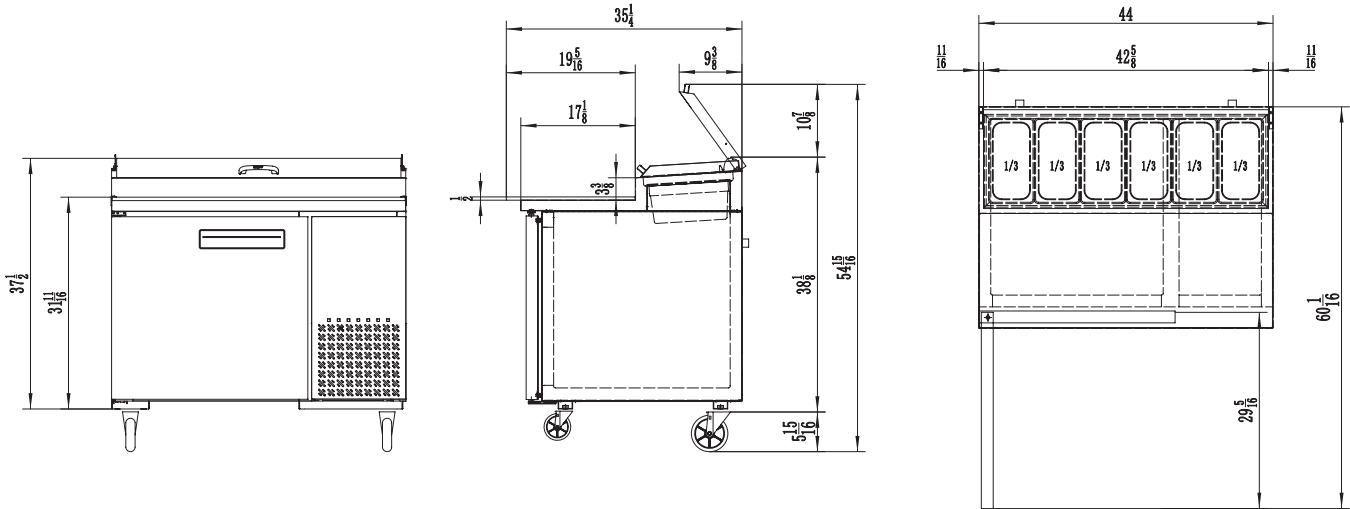
- Exterior & interior stainless steel construction
- Environmentally friendly R290 refrigerant
- Heavy duty Embraco compressor
- Self-closing and stay open door
- Efficient refrigeration system
- Recessed door handle
- Magnetic door gaskets
- Casters for easy movement
- Pre-installed shelves
- Removable lid/top

Warranty:

- Two year parts and labour; Five years on compressor. For full warranty details visit <https://www.efifoodequip.com/warranty-info.php>



CPDR1-44VC-L Specifications



Model	Refrigerant	Doors	Shelves	Dimension (mm / inch)			HP	Voltage	Amps	Capacity (L / Cu Ft.)	Net Weight (KG / LBS)	Temperature Range
				L	D	H						
CPDR1-44VC-L	R290	1	2	1117	840	1035	1/6	115/60	2.3	275	108	1 ~ 8°C
				44.0	33.1	40.7				9.7	238	33 ~ 45°F

Equipped with one NEMA 5-15P plug 

Shipping Information

Crate Dimensions (mm / inch)			Net Weight (KG / LBS)	Gross Weight (KG / LBS)
L	D	H		
1171	909	1166	108	134
46.1	35.8	45.9	238	295

Specifications subject to change without notice.