



Equipment for the Foodservice Industry

value + quality + service

Bottom Mount Reach-in Glass Door Refrigeration

C2-39GDSVC



C2-39GDSVC

Features

Features:

- Bottom mount compressor units
- Environmentally friendly R290 refrigerant
- LED lighting interior display system
- Dixell digital temperature control system
- Heavy duty Embraco compressor
- Self-closing and stay open door
- Efficient refrigeration system
- Recessed door handle
- Standard safety door lock
- Magnetic door gaskets
- Pre-installed casters
- Adjustable PVC coated shelves

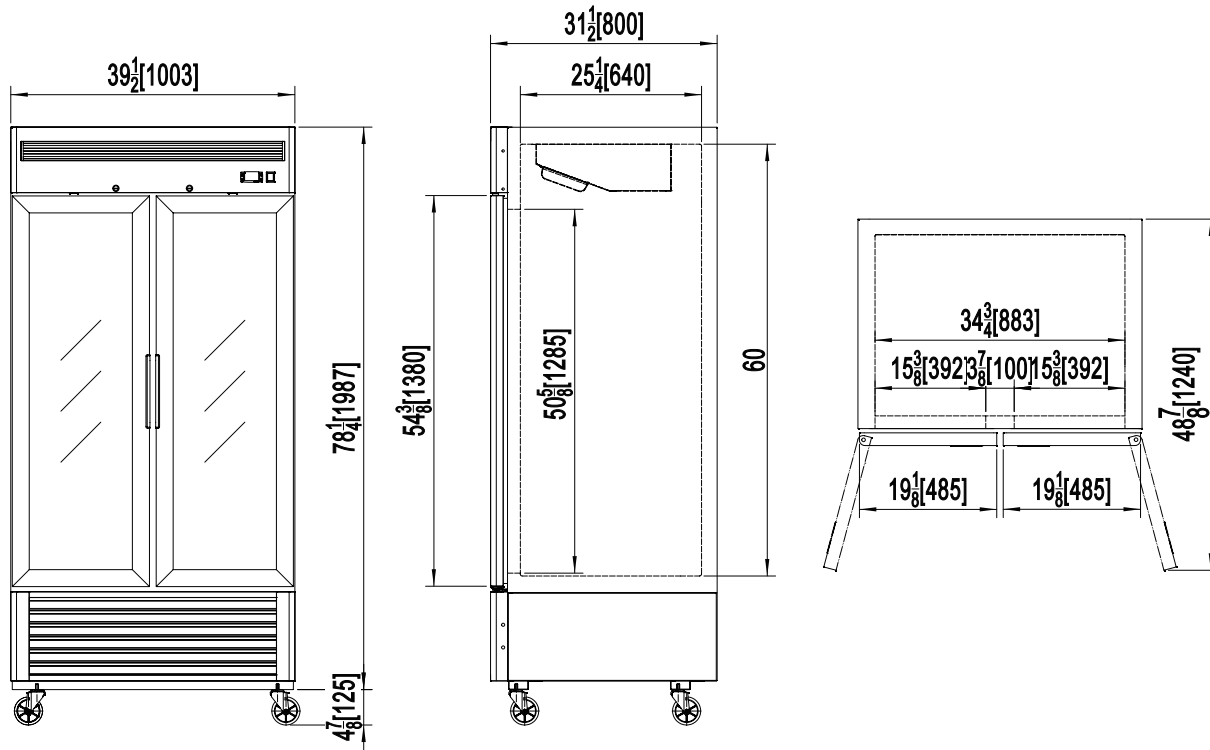
Warranty:

- Two year parts and labour; Five years on compressor. *For full warranty details visit <https://www.efifoodequip.com/warranty-info.php>*



C2-39GDSVC

Specifications



Model	Refrigerant	Doors	Shelves	Dimension (mm / inch)			HP	Voltage	Amps	Capacity (L) (Cu Ft.)	Net Weight (KG) (LBS)	Temperature Range
				L	D	H						
C2-39GDSVC	R-290	2	8	1003	800	2135	1/4+	115/60	6.5	1000	190	1 ~ 8°C
				39.5	31.5	84.1				35.3	418	33 ~ 45°F

Equipped with one NEMA 5-15P plug 

Shipping Information

Crate Dimensions (mm / inch)			Net Weight (KG) (LBS)	Gross Weight (KG) (LBS)
L	D	H		
1054	862	2154	170	188
41.5	33.9	84.8	375	415

Specifications subject to change without notice.