

efi sales Ltd.

Equipment for the Foodservice Industry
value + quality + service

COUNTERTOP REFRIGERATOR

C1-21GDCT



C1-21GDCT

Features

Features:

- Countertop series
- Glass design for maximum product visibility;
- Attractive, black exterior with white interior
- Adjustable temperature to keep different beverage
- LED interior lighting
- Shelves installed

- Lock installed

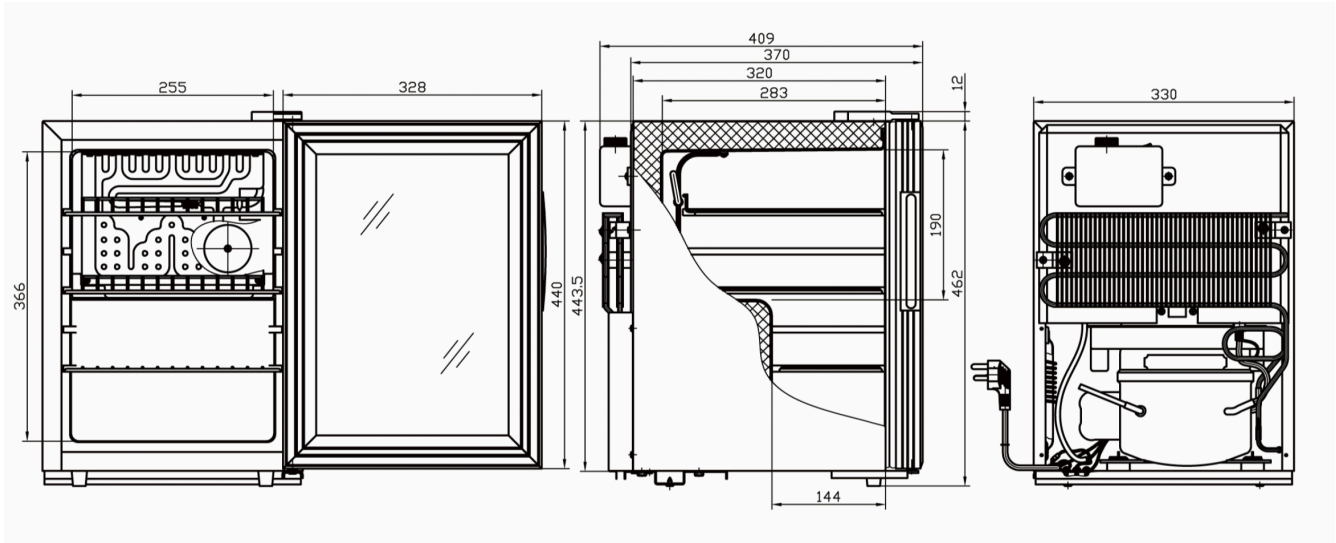
Warranty

- 2 year parts and labour; 5 years on compressor
- Specifications subject to change without notice



C1-21GDCT

Specifications



Model	Size (WxDxH) mm	Inner tank size (WxDxH) mm	Net Weight (kg/Lbs)	Gross Weight (kg/Lbs)	Capacity (L/Cu.ft)	Voltage(V)	Current (A)	Temperature Range	Light box or not
C1-21GDCT	330*410*474	240*276*168	15	16.5	21	110V 60HZ	1.6	0-10°C	No
	13*16.4*18.7	9.4*10.9*6.6	33	36.3	0.7	110V 60HZ			