

**efi** sales Ltd.

Equipment for the Foodservice Industry  
value + quality + service

## Salamander

RCTSM-36



### RCTSM-36

### Features

Features:

- Durable stainless steel structure that is corrosion resistant and easy to clean
- Simple and reasonable
- Easy to maintain
- High efficient ceramic infrared burner, for quick and even heating
- Standby pilots
- Independent manual controls to save energy
- Mounting kits available to save kitchen space 3/4" NPT on rear of appliance

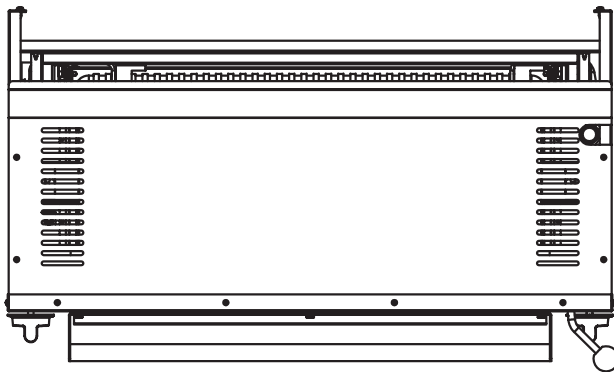
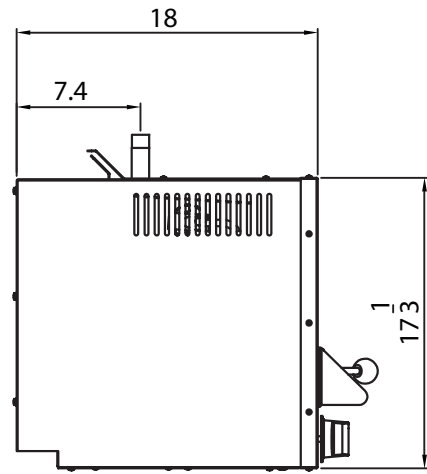
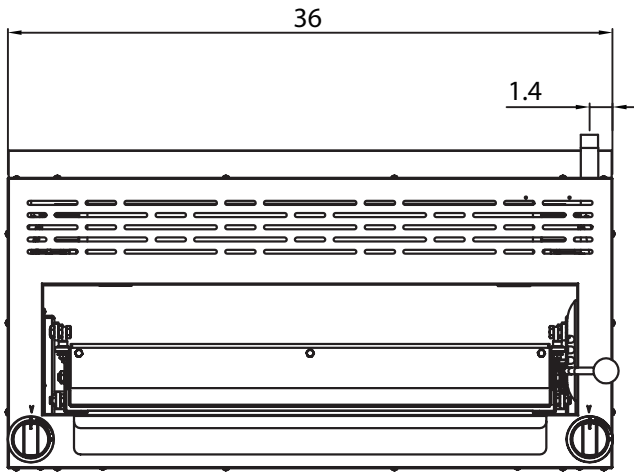
Warranty:

- One year limited warranty parts and labour.  
*For full warranty details visit <https://www.efifoodequip.com/warranty-info.php>*



**RCTSM-36**

**Specifications**



Model	Burners	Ignition	Gas type	Intake-tube pressure (in.W.C.)	Per BTU B.T.U./h	Total BTU B.T.U./h	Nozzle No.	Net weight (LBS) rock
RCTSM-36-N	2	Manual	NG	5	21,500	43,000	#47	143
RCTSM-36-P			LP	10	21,500	43,000	#54	

Specifications subject to change without notice.