



Equipment for the Foodservice Industry

value + quality + service

Char Rock Broilers

RCTCB-24



RCTCB-24

Features

Features:

- Durable stainless steel structure that is corrosion resistant and easy to clean
- Extended top side walls to hold grates in place
- Highly efficient stainless steel burner, for maximum heat transfer
- Full width removable crum pan
- Manually controlled valves for each burner
- Standing pilots for instant ignition
- Cast iron grill to maintain thermal inertia
- Lava rock for even heat distribution
- Sectioned grates for easy removal and cleaning
- Independent manual controls to save energy
- Adjustable multi-level heavy duty cast iron top grates
- Adjustable stainless steel legs included
- Available in natural gas & propane

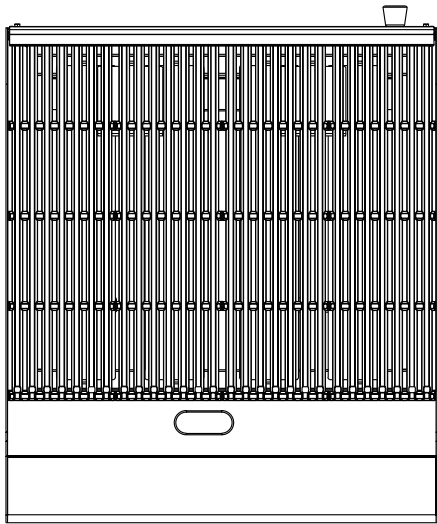
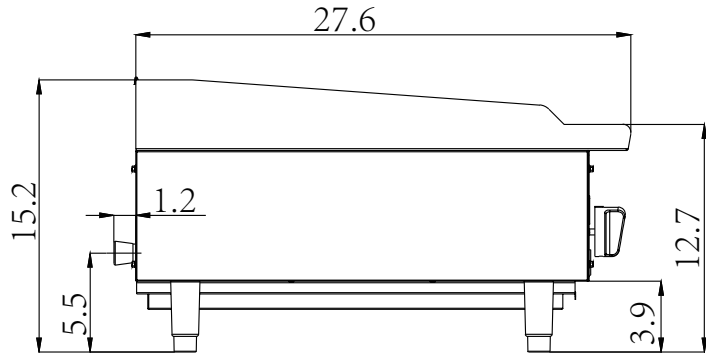
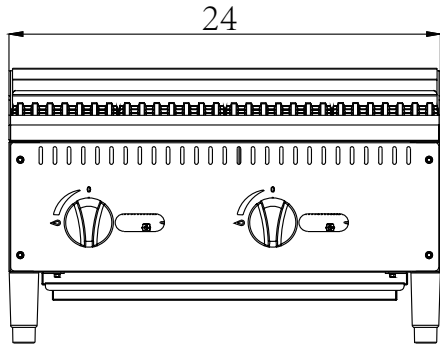
Warranty:

- One year limited warranty parts and labour



RCTCB-24

Specifications



Model	Burners	Ignition	Gas type	Intake-tube pressure (in.W.C.)	Per BTU B.T.U./h	Total BTU B.T.U./h	Nozzle No.	Net weight (LBS)
RCTCB-24-N	2	Manual	NG	4	35,000	70,000	#36	136.7
RCTCB-24-P			LP	10	35,000	70,000	#50	

Specifications subject to change without notice.