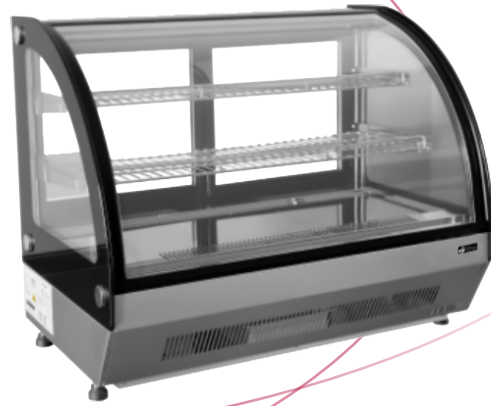




Equipment for the Foodservice Industry
value + quality + service

COUNTERTOP DISPLAY CASES

CGCM-CT-2726



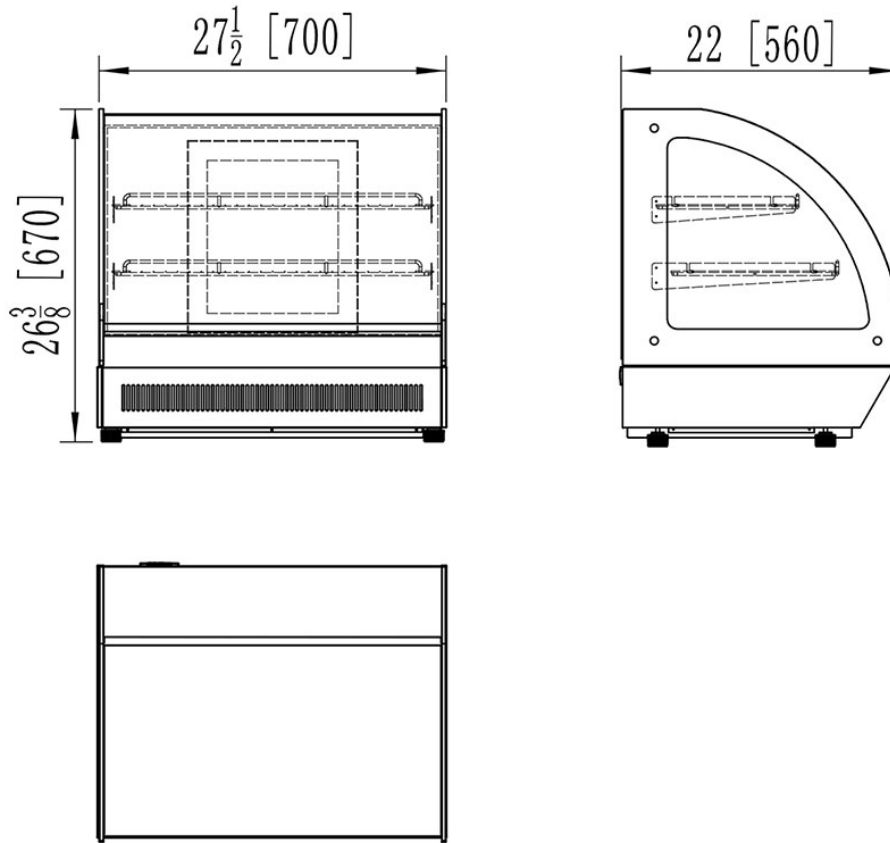
CGCM-CT-2726 Features

Features:

- Stainless steel exterior & interior with black frames
- Rear mount compressor with environmentally friendly R290 refrigerant
- Dixell digital controller
- Two (2) stainless steel shelves standard
- Defog feature to ensure the glass stays clear
- Maintains temperatures between 33°F - 41°F
- Magnetic door gasket(s) standard for positive door seal
- Two (2) rear sliding doors
- LED interior lighting
- Leveling legs



CGCM-CT-2726 Specifications



Model	Refrigerant	Shelves	Dimension (mm) (inch)			HP	Voltage	Amps	Capacity (L) (Cu Ft.)	Net Weight (KG) (LBS)	Temperature Range	NEMA Config.
			L	D	H							
CGCM-CT-2726	R290a	2	700	560	670	1/5	115/60	2	99	63	2 ~ 8°C	5-15P ⓘ
			27.6	22.1	26.4				3.5	138.9	35 ~ 46.4°F	